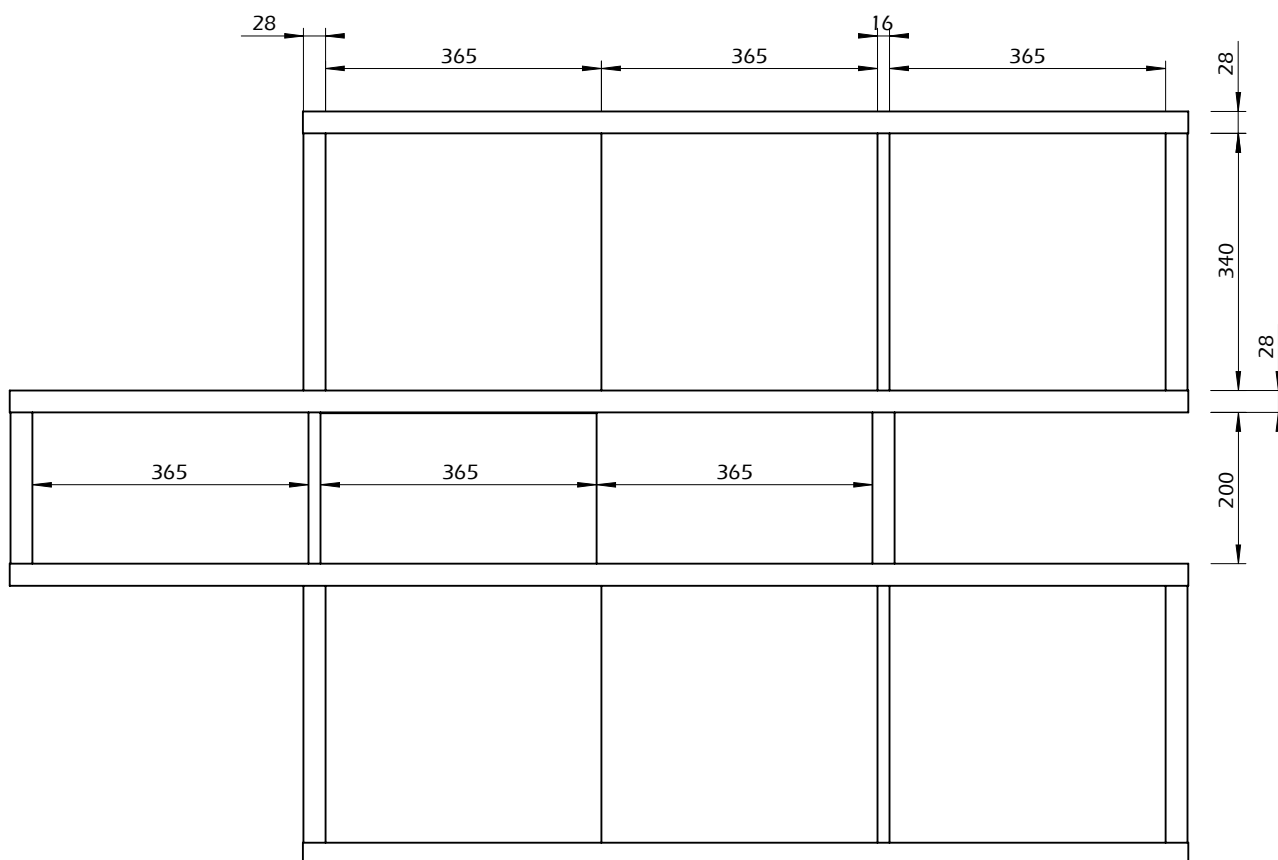
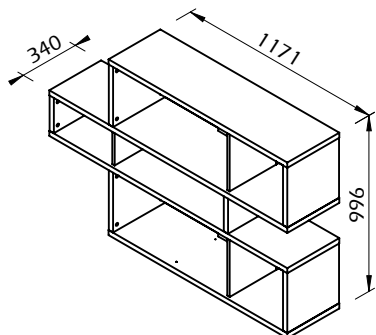


# Technical Information

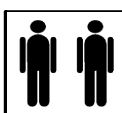
LONDON



TEMAHOME



40min



50kg