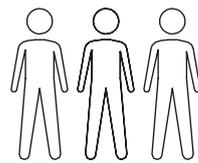
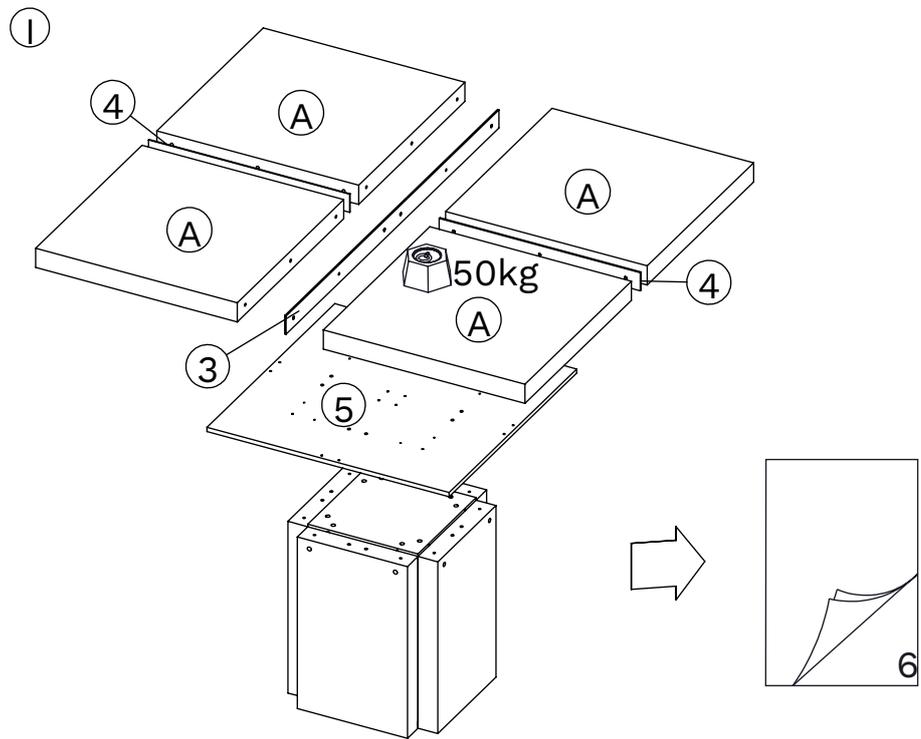
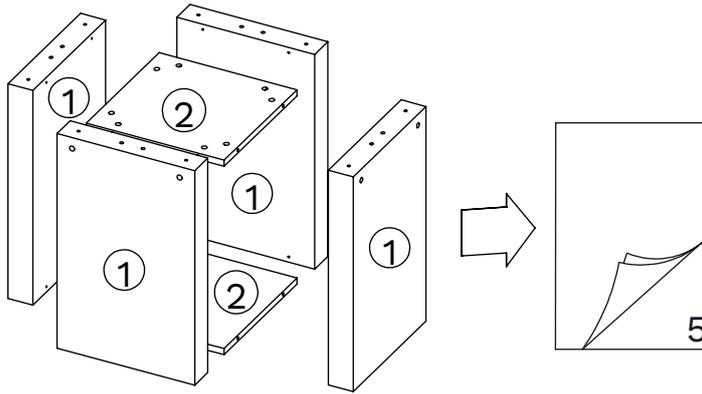


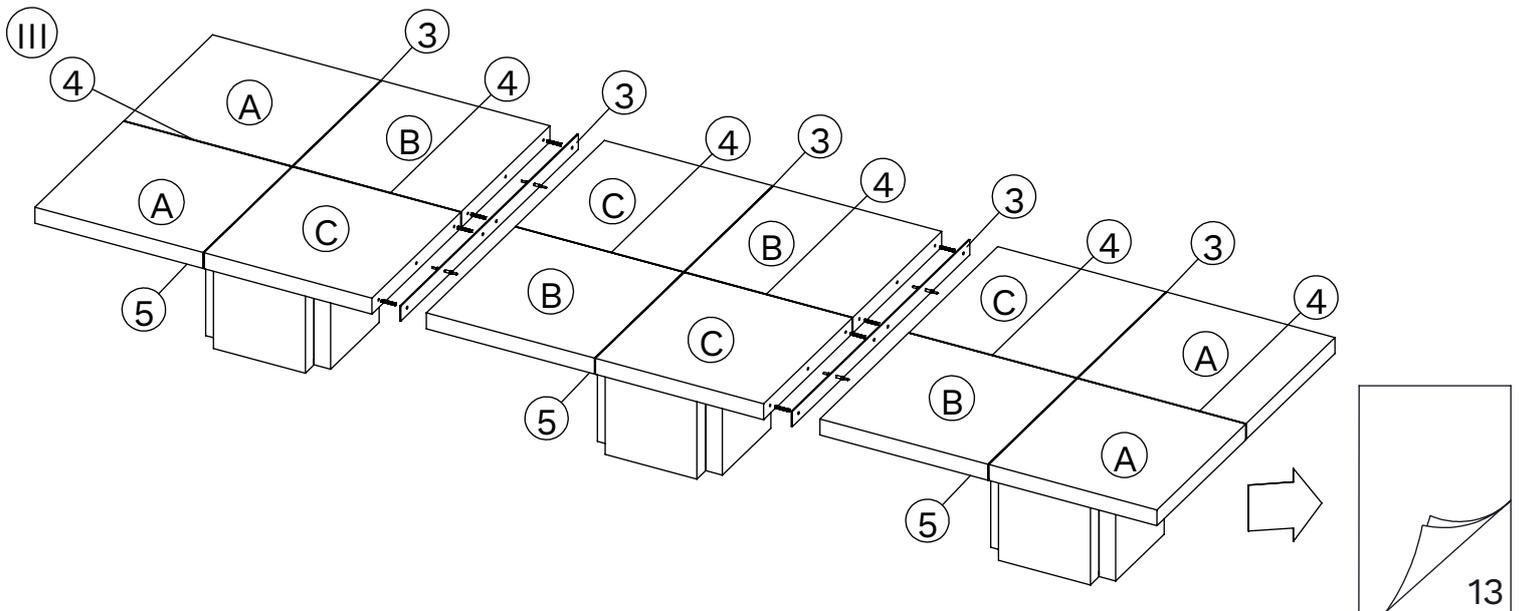
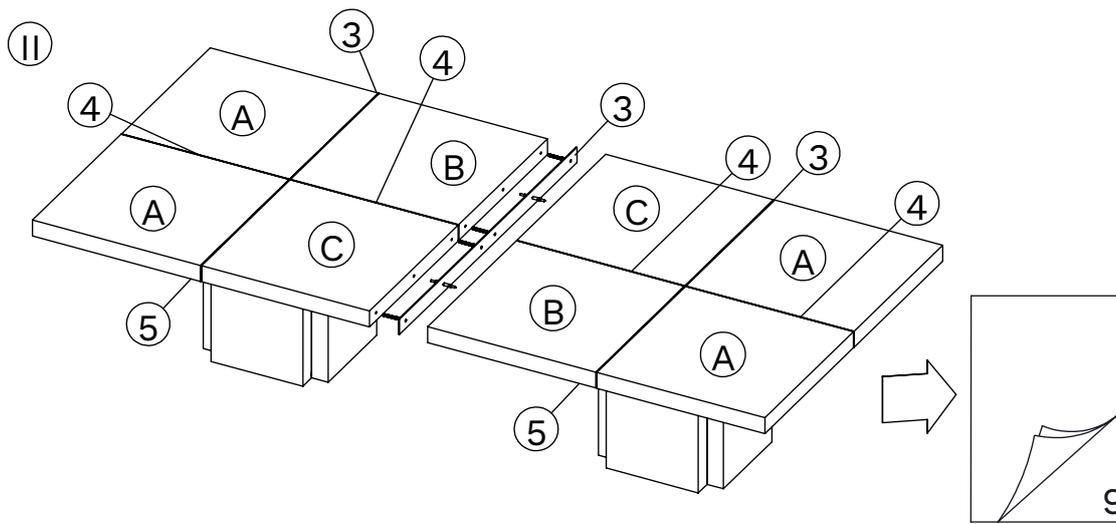
1 : 30



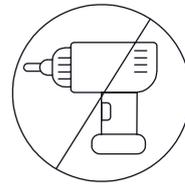
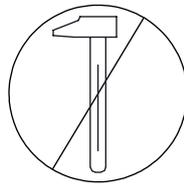
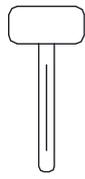
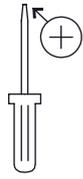
x 3



○	x	mm	
1	4/8/12	664 x 410 x 74	1
2	2/4/6	410 x 410 x 19	1
3	1/3/5	1501 x 70 x 5	2
4	1/2/3	748 x 70 x 5	2
A	4	750 x 750 x 74	2
B	2/4	750 x 750 x 74	3
C	2/4	750 x 750 x 74	3



○	x	mm	
1	4/8/12	664 x 410 x 74	1
2	2/4/6	410 x 410 x 19	1
3	1/3/5	1501 x 70 x 5	2
4	1/2/3	748 x 70 x 5	2
A	4	750 x 750 x 74	2
B	2/4	750 x 750 x 74	3
C	2/4	750 x 750 x 74	3



Ø7 x 41mm
BAA x 24



AAA x 24



DAG x 8



DAD x 8



ABB x 8/4



BAB x 8/4



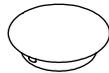
BDB x 4/2



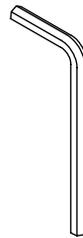
Ø4 x 35mm
GGH x 16



RKB x 8



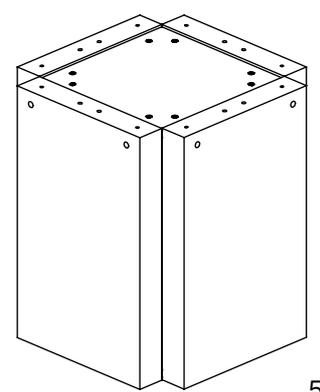
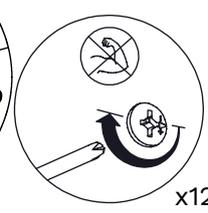
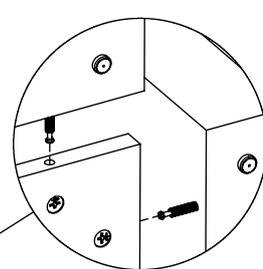
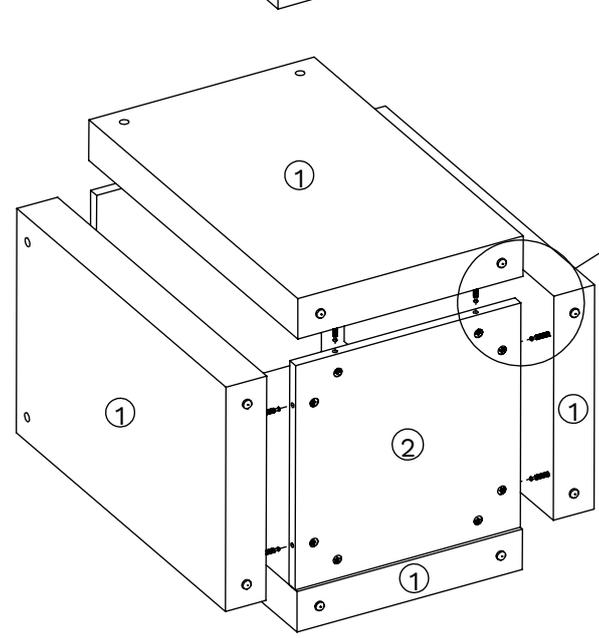
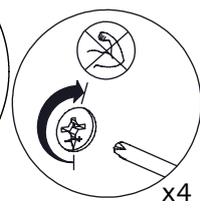
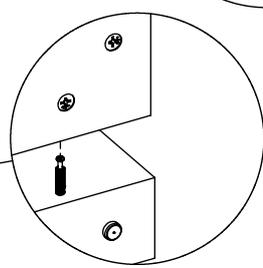
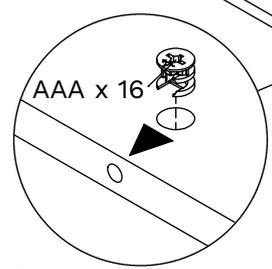
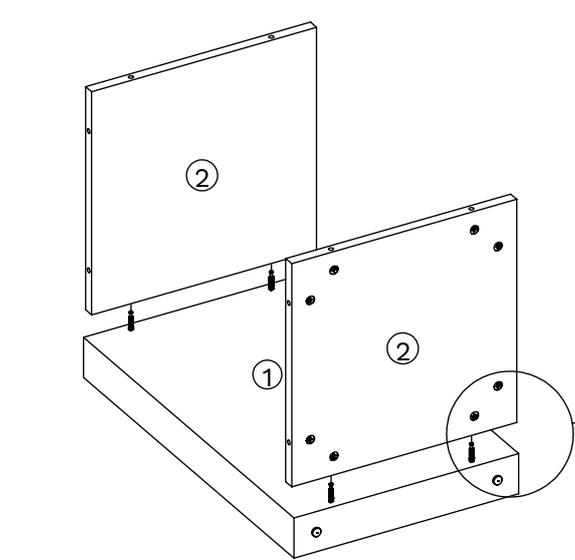
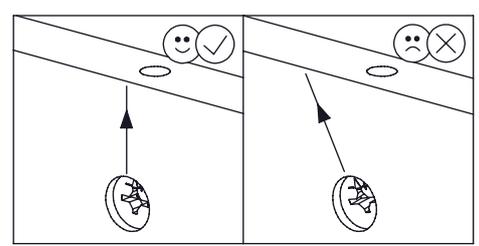
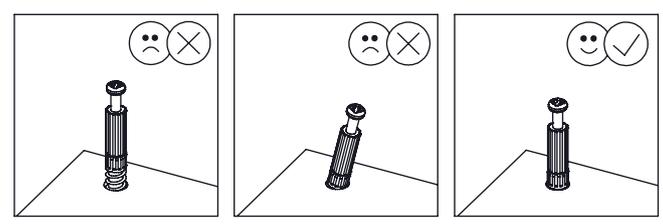
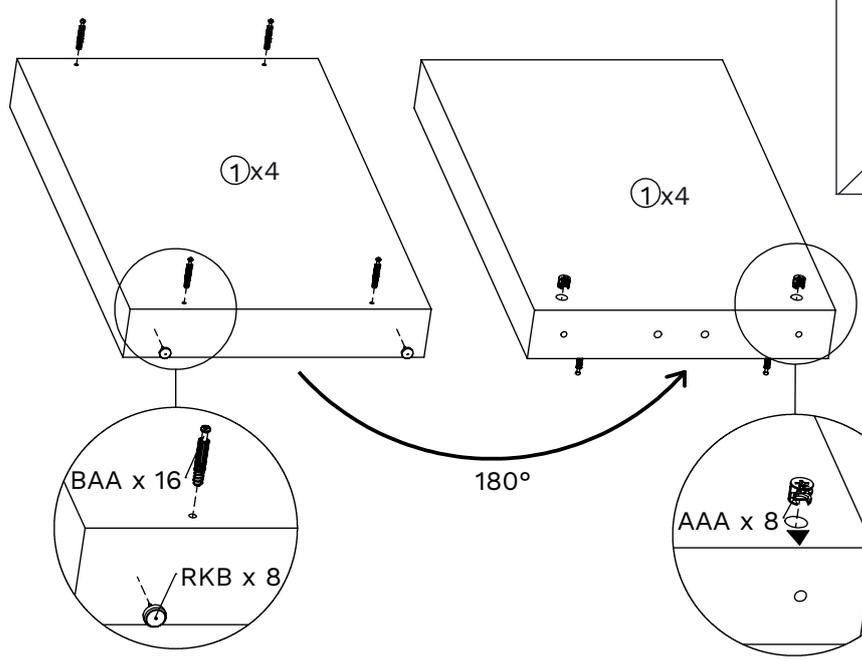
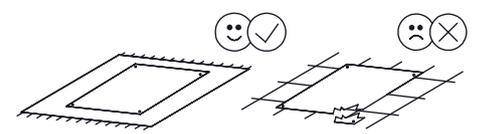
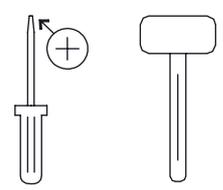
EDL x 8



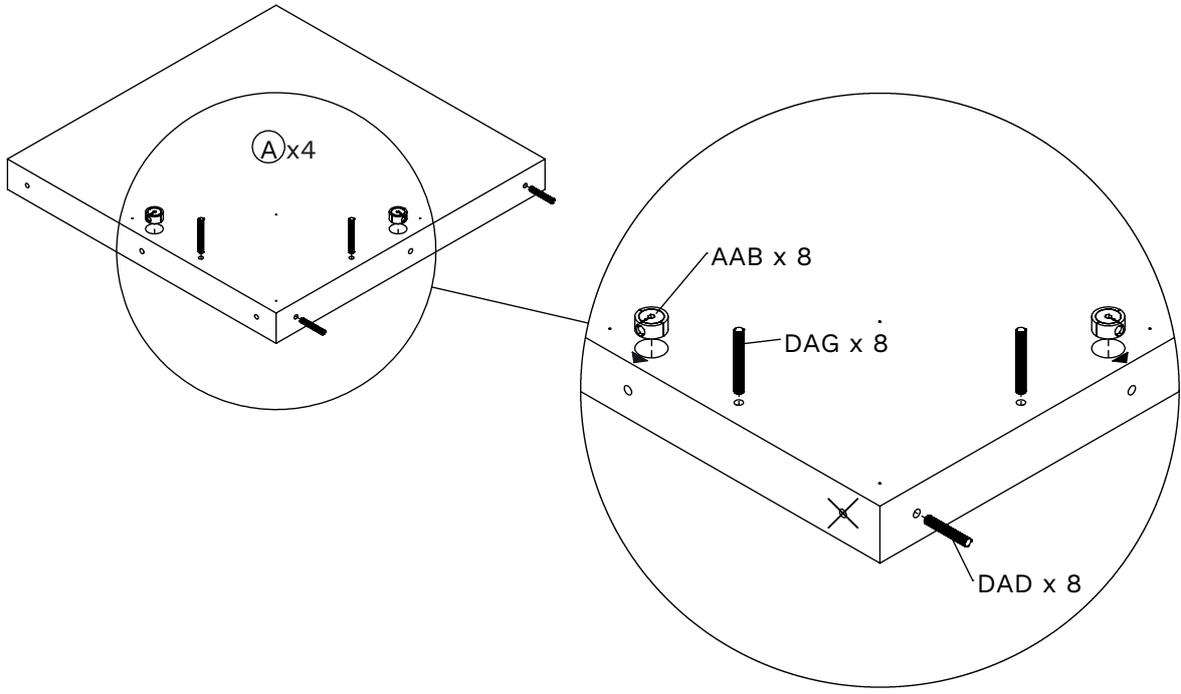
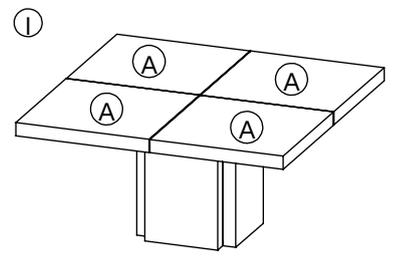
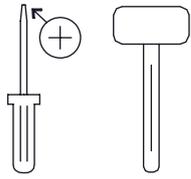
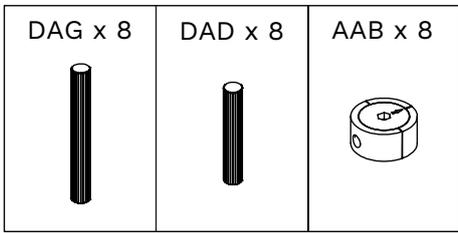
KIB x 1

1

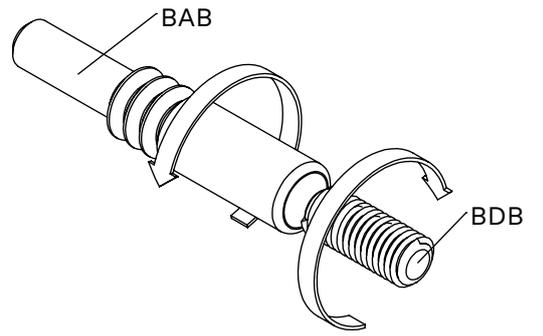
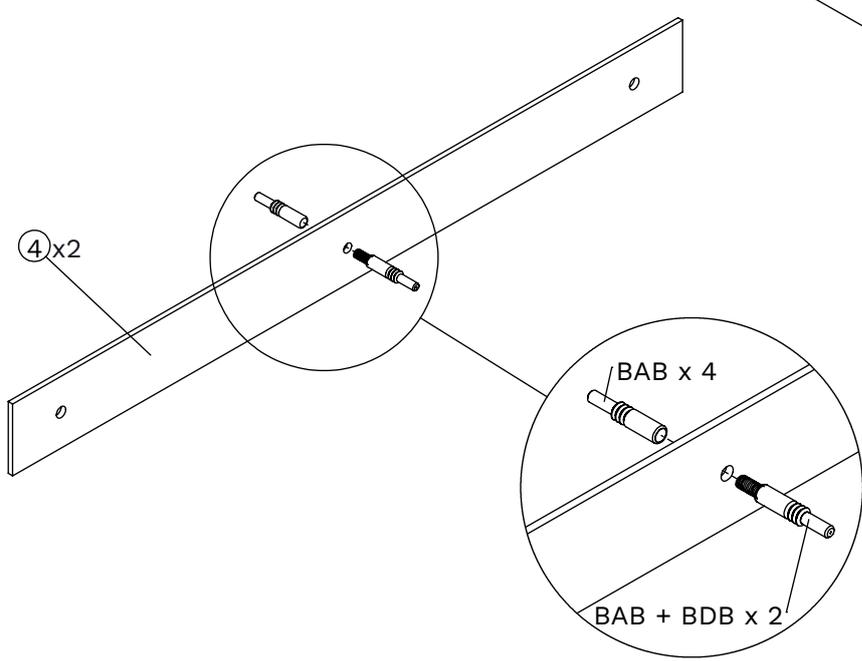
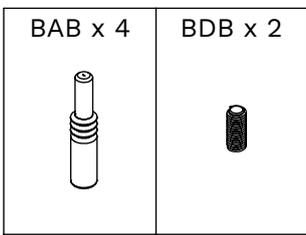
BAA x 16  Ø7 x 41mm	AAA x 24 	RKB x 8 
---	---	--



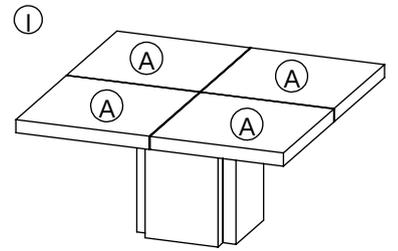
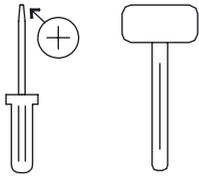
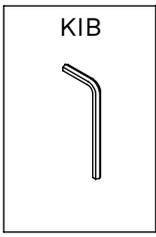
2



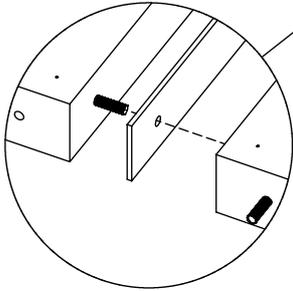
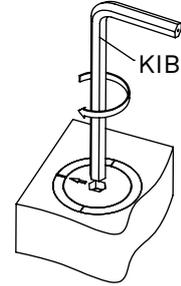
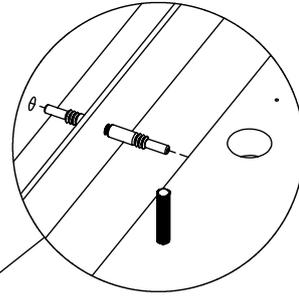
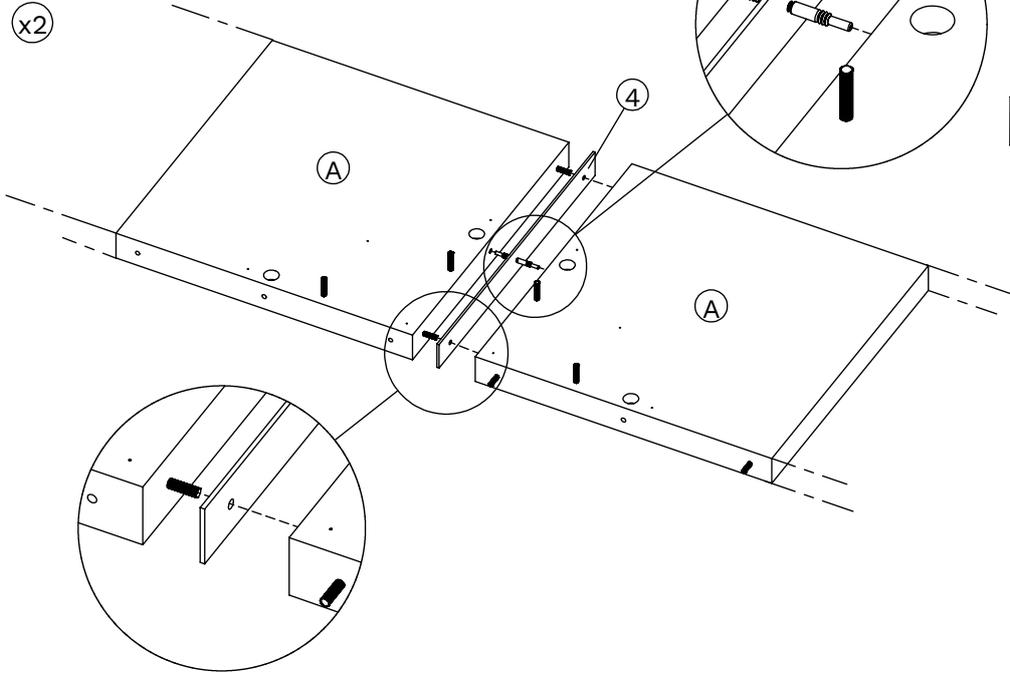
3



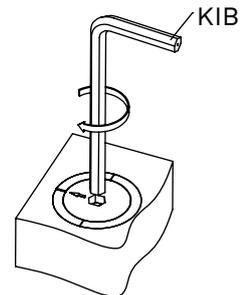
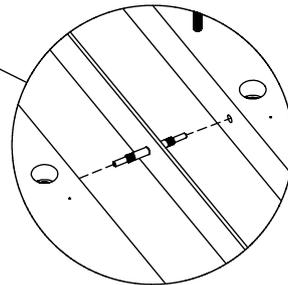
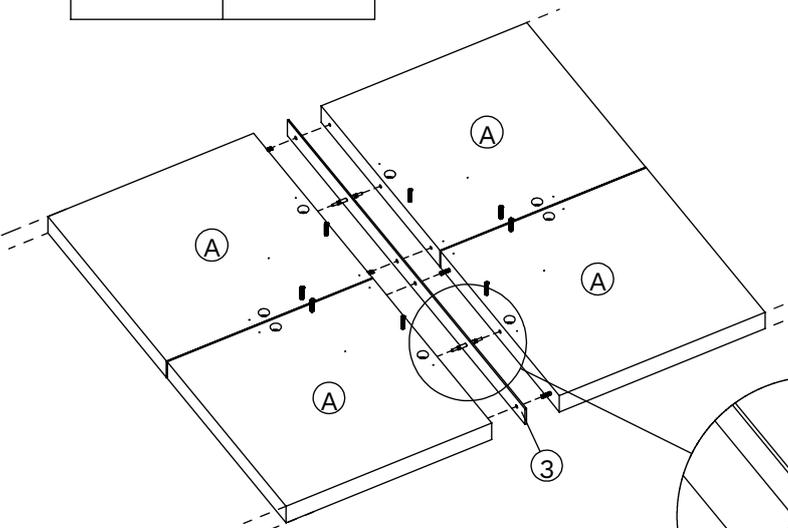
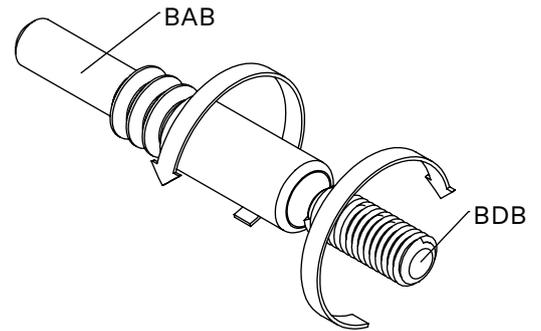
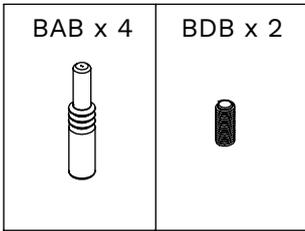
4



x2

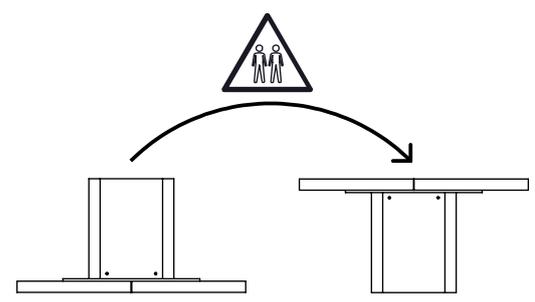
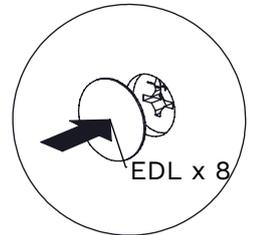
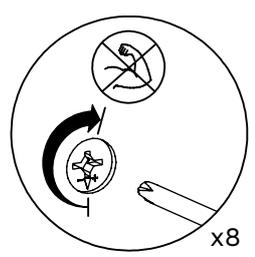
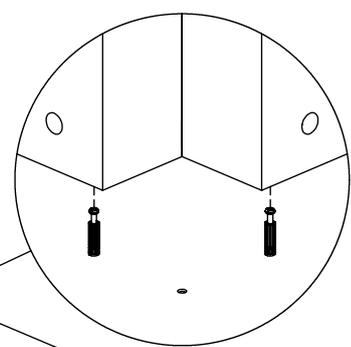
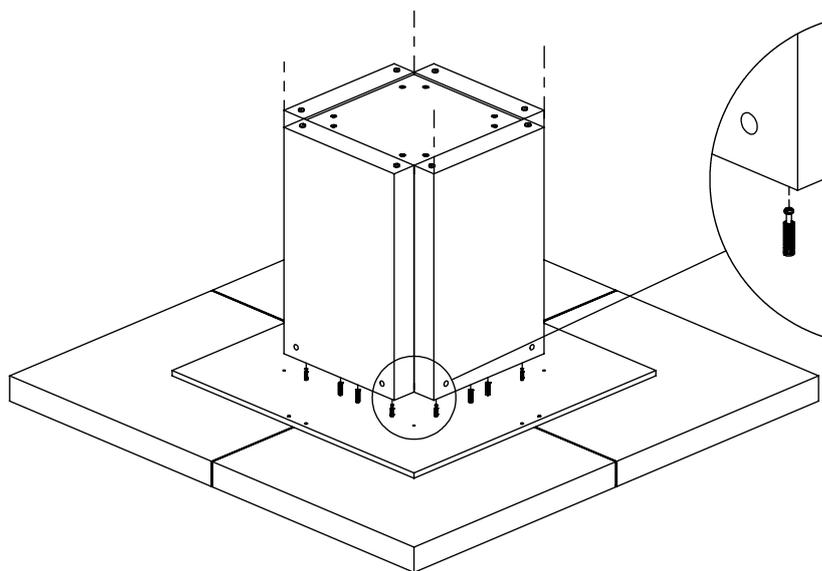
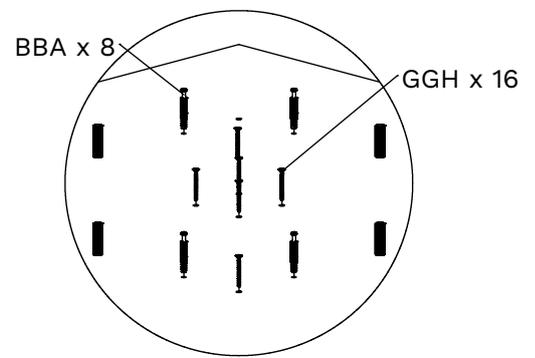
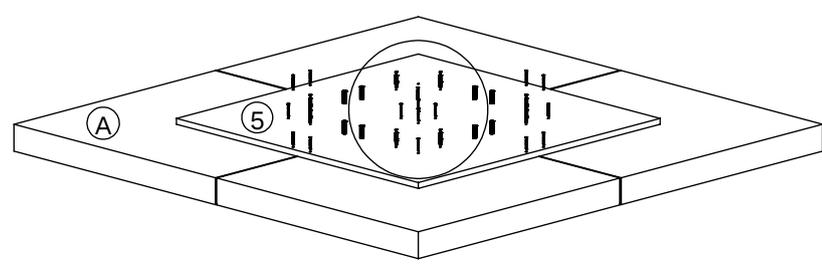
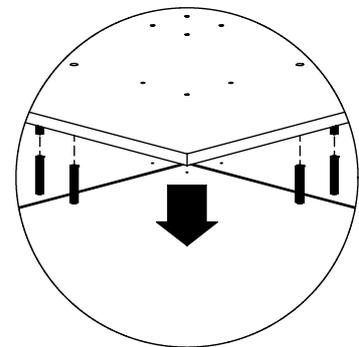
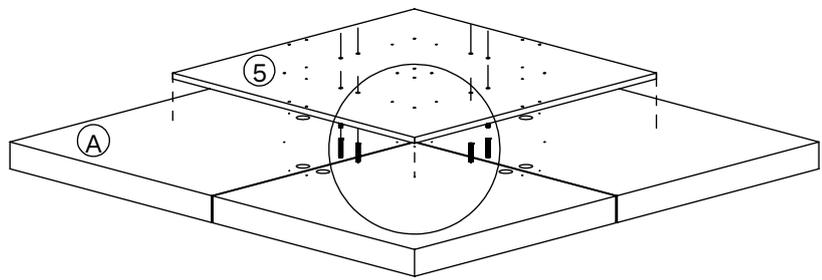
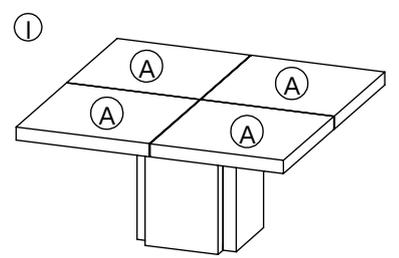
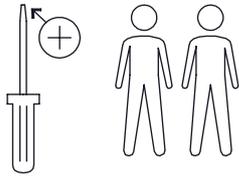


5

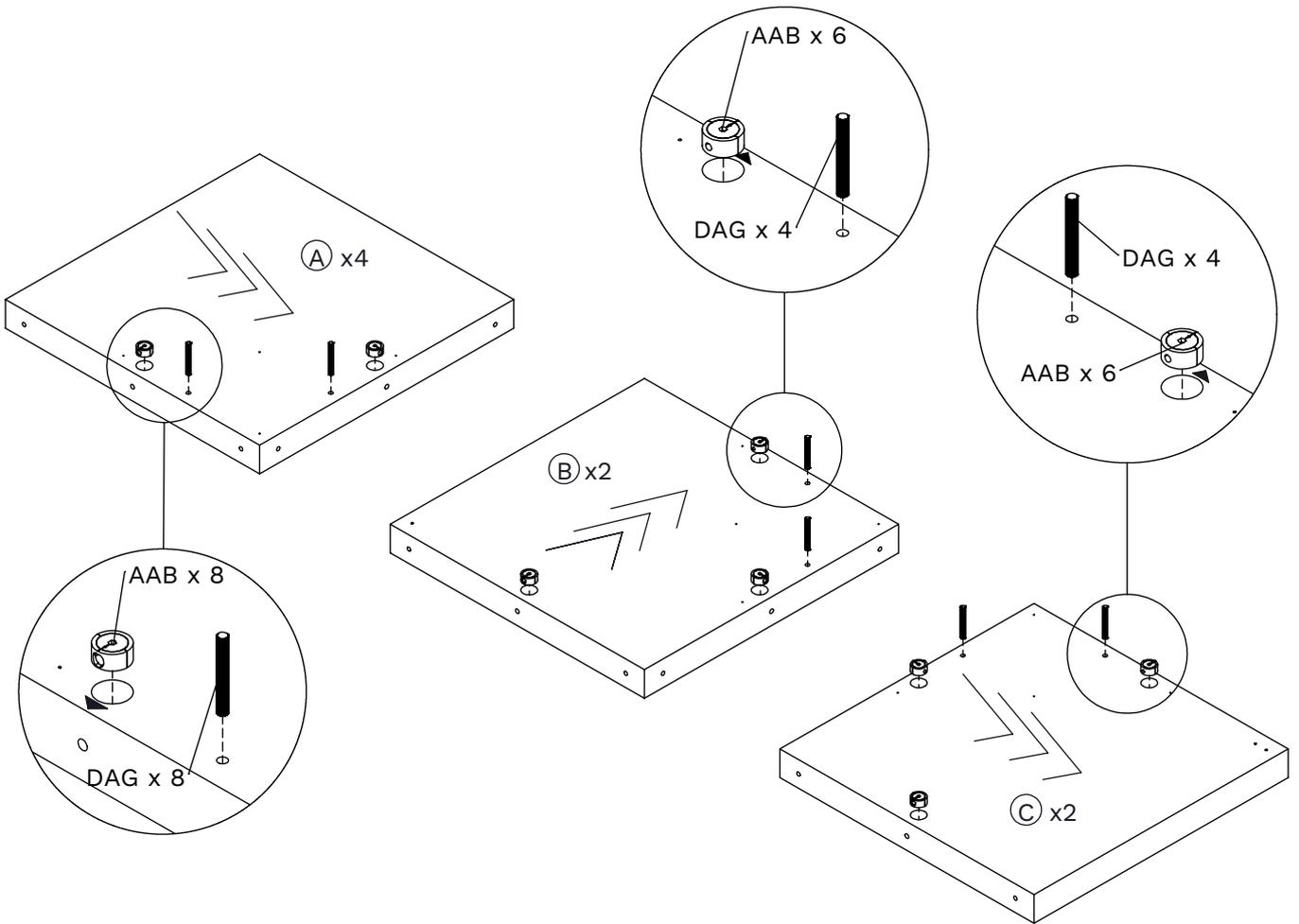
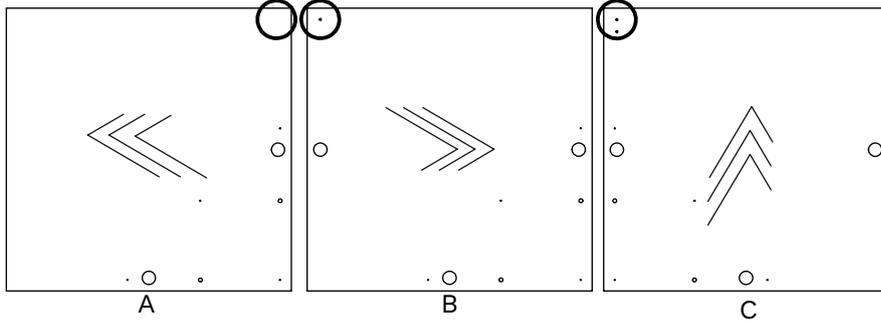
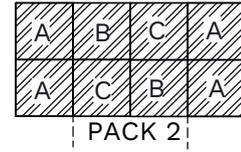
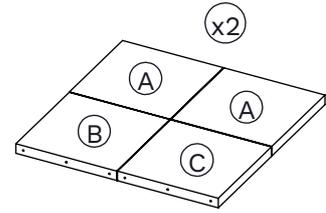
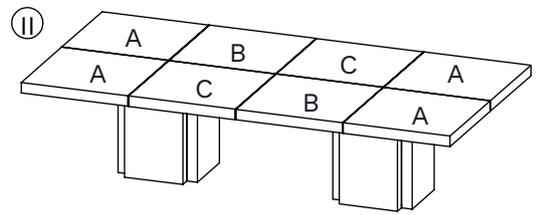
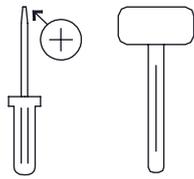
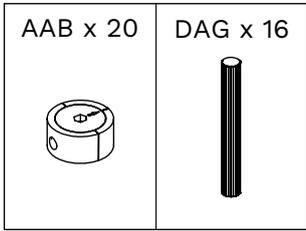


6

BAA x 8  Ø7 x 41mm	GGH x 16  Ø4 x 35mm	EDL x 8 
--	--	--

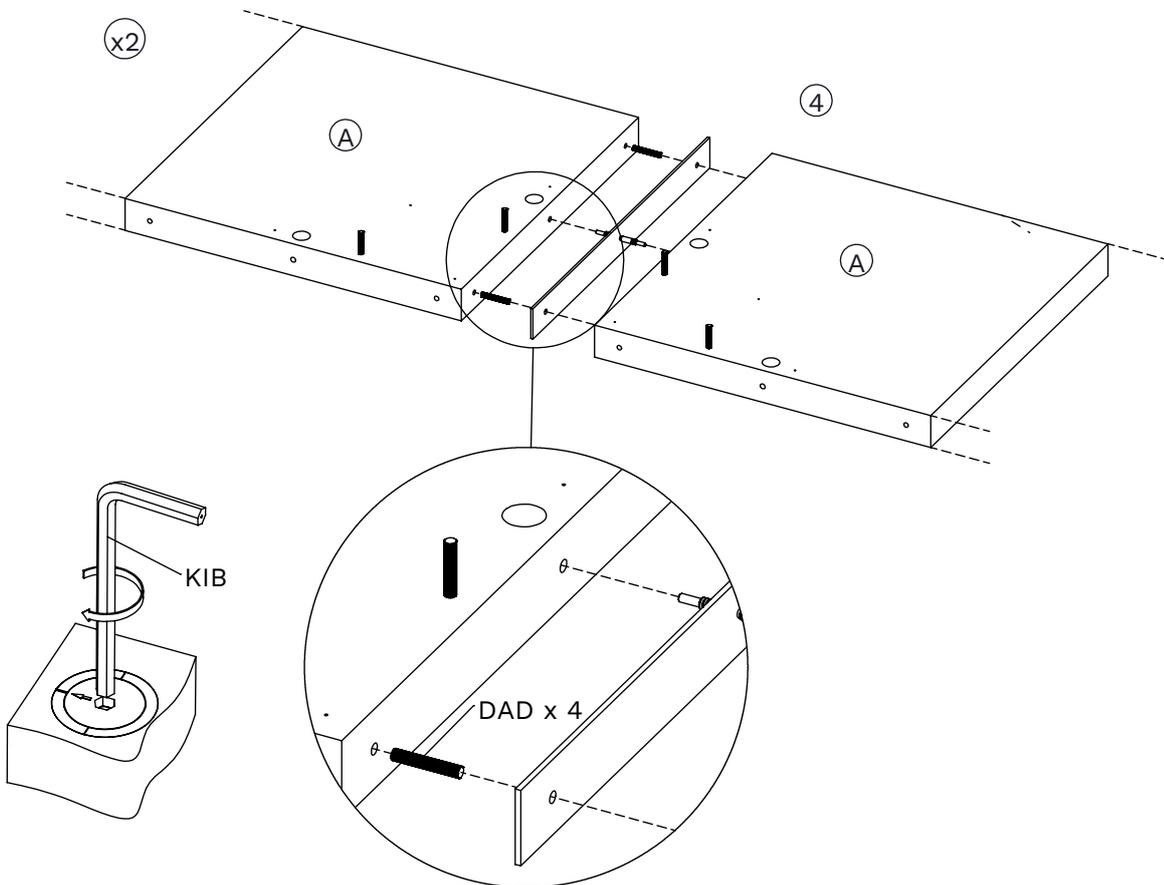
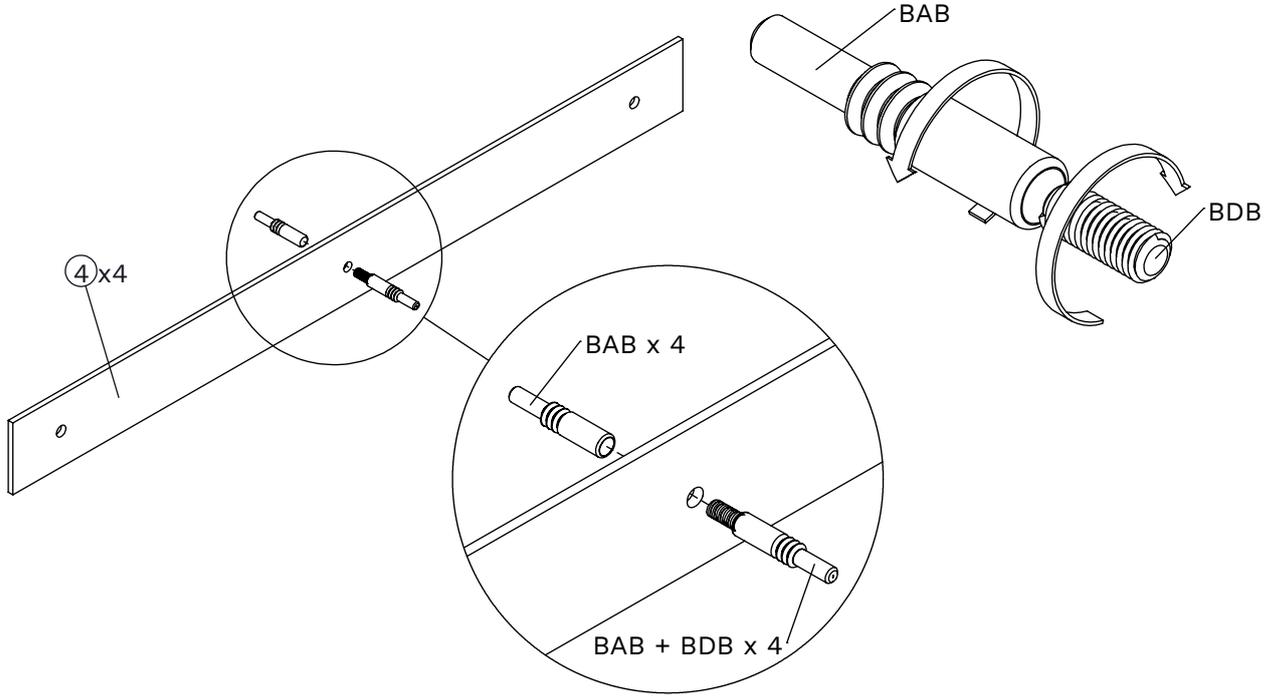
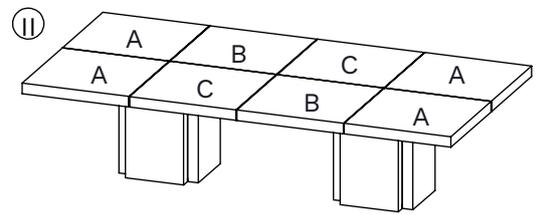
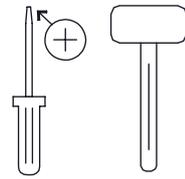


7

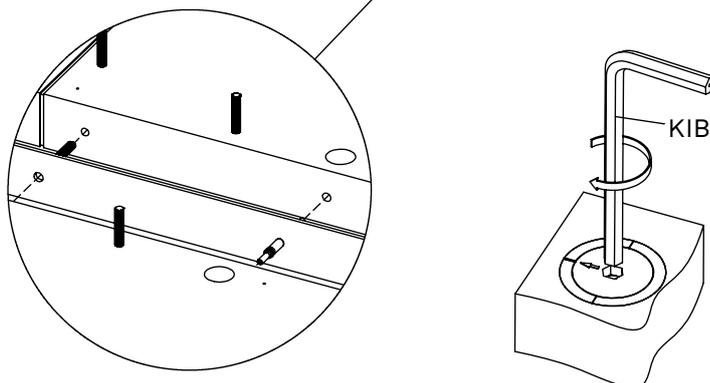
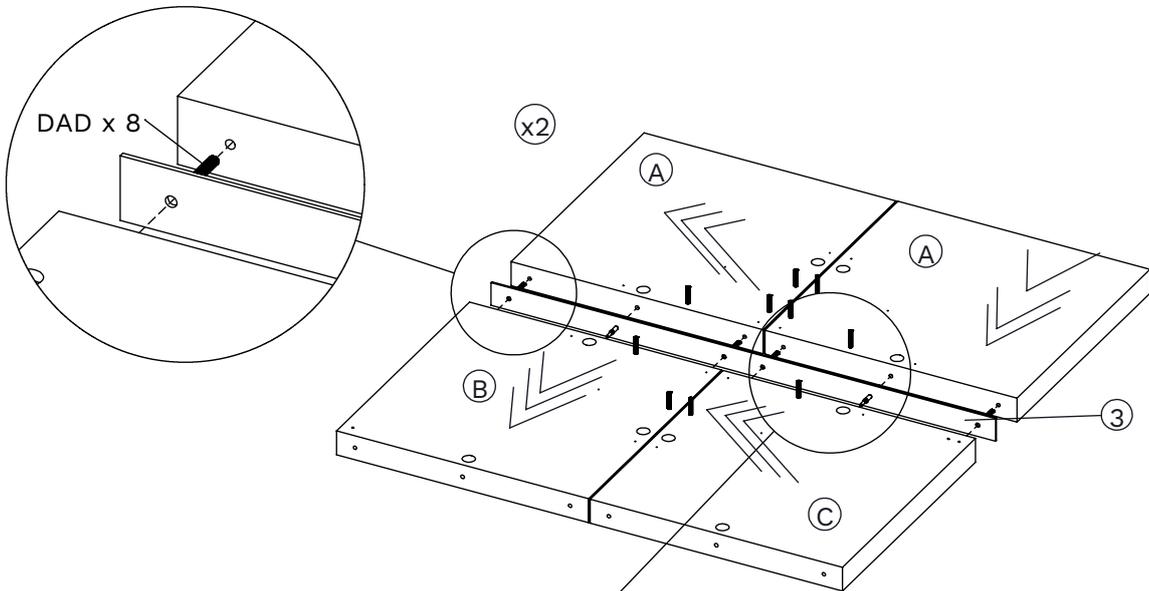
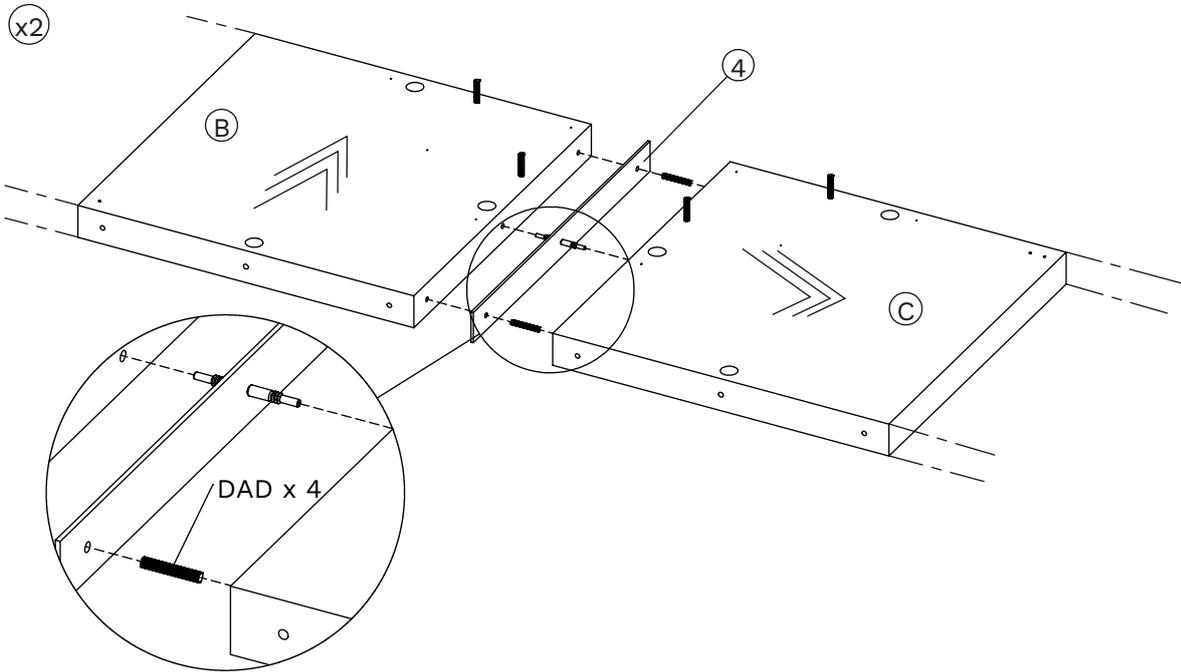
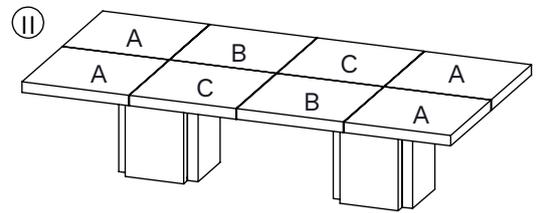
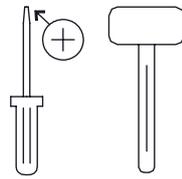
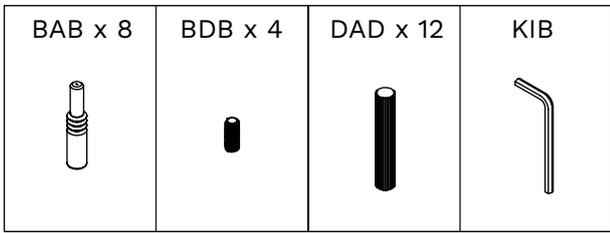


8

BAB x 8	BDB x 4	DAD x 4	KIB
---------	---------	---------	-----

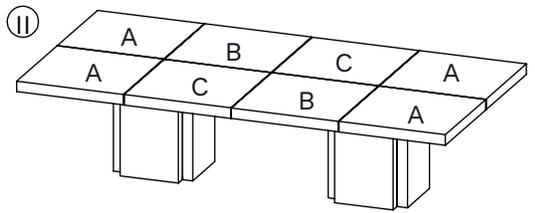
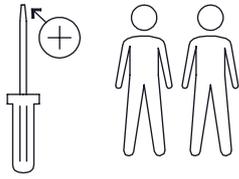


9

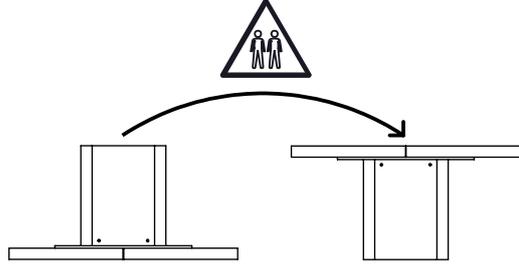
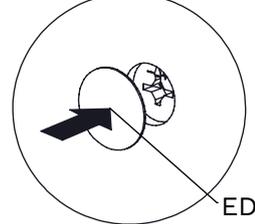
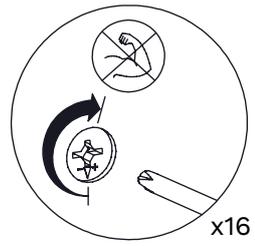
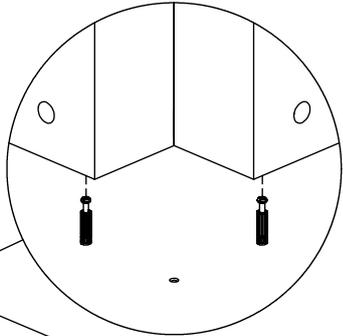
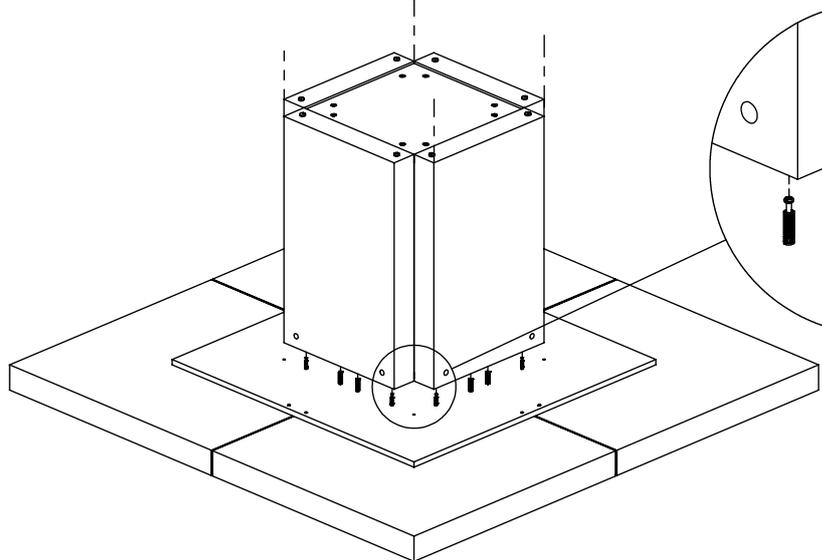
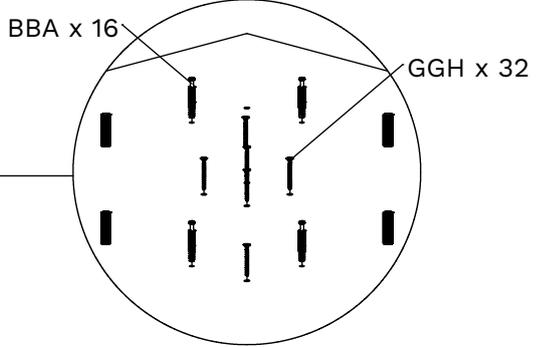
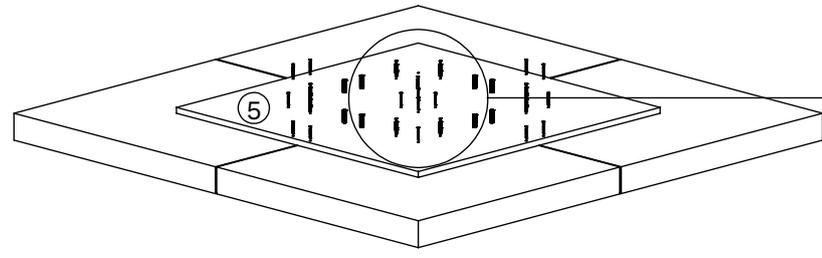
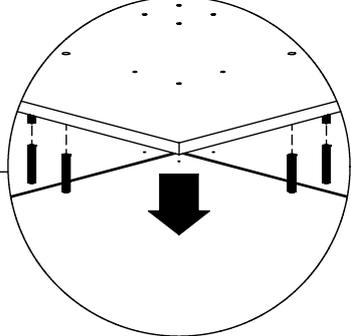
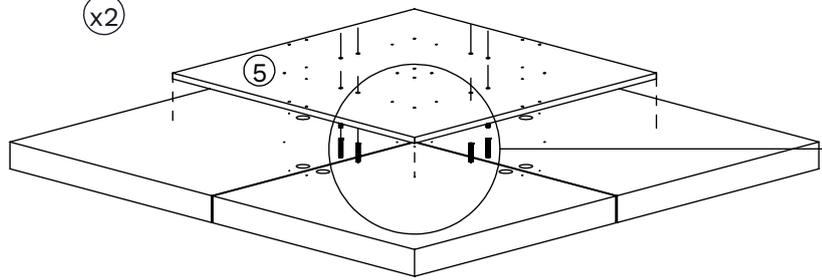


10

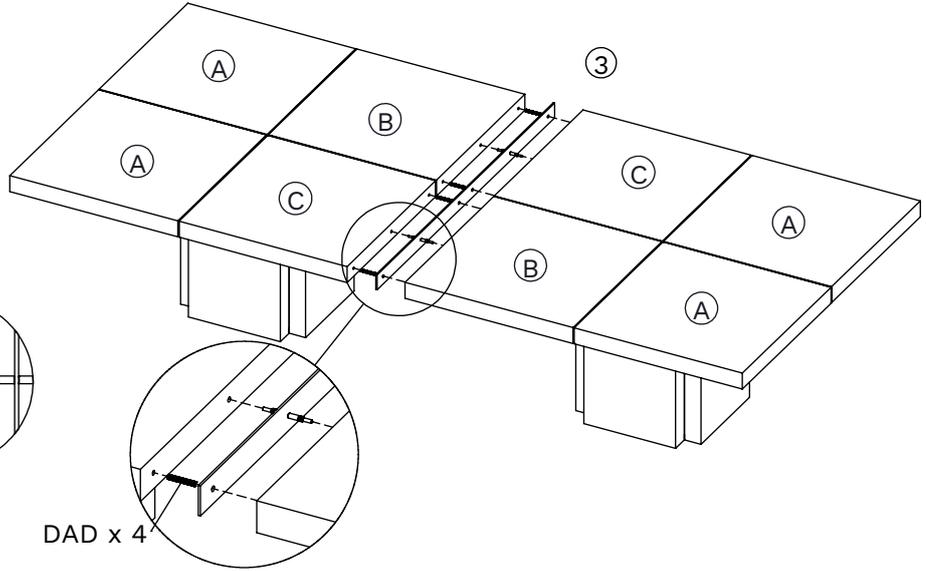
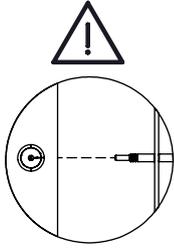
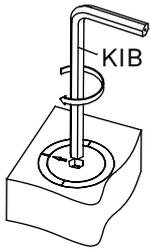
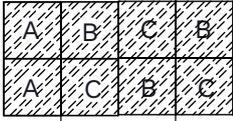
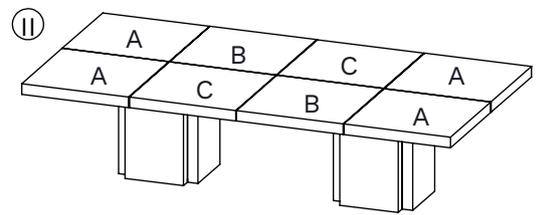
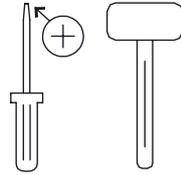
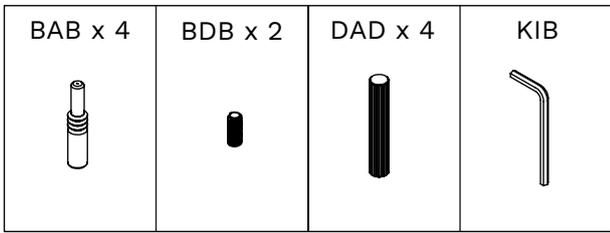
BAA x 16  Ø7 x 41mm	GGH x 32  Ø4 x 35mm	EDL x 16 
--	--	---



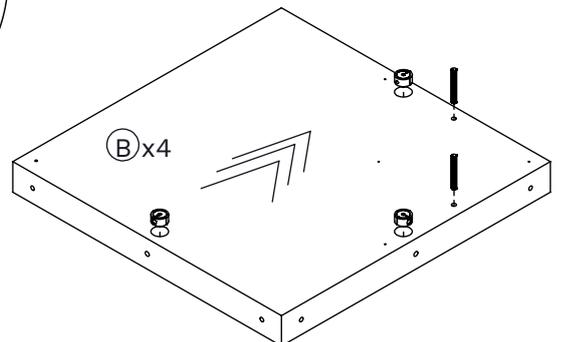
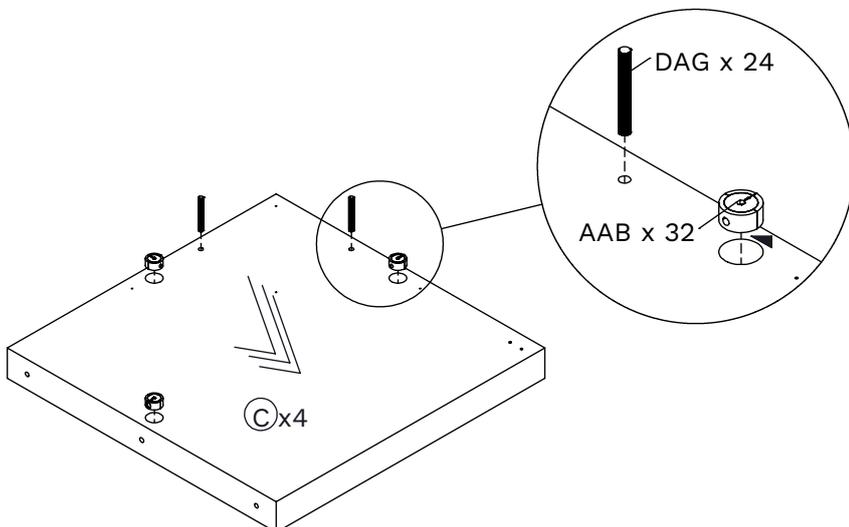
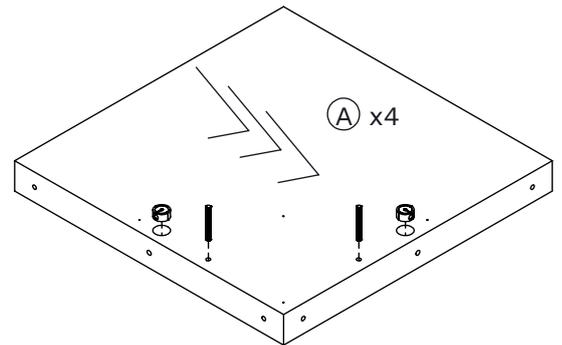
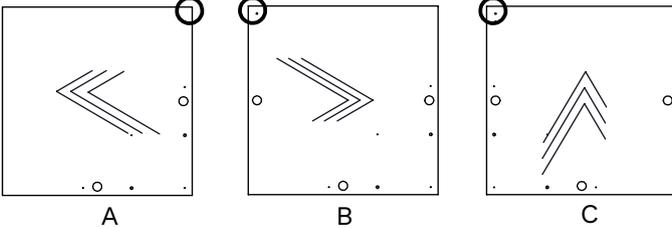
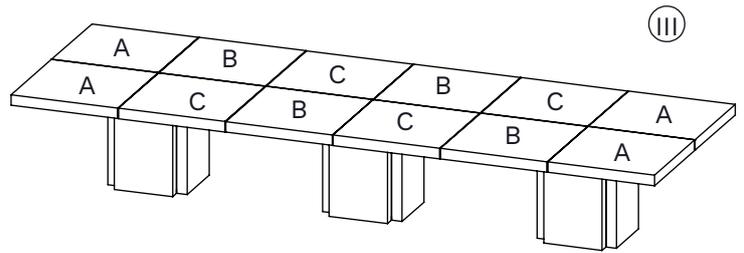
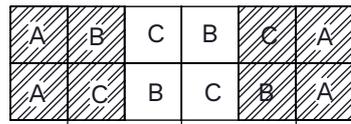
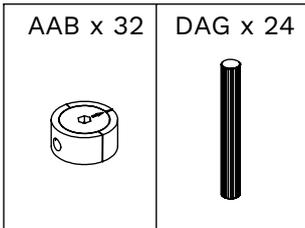
x2



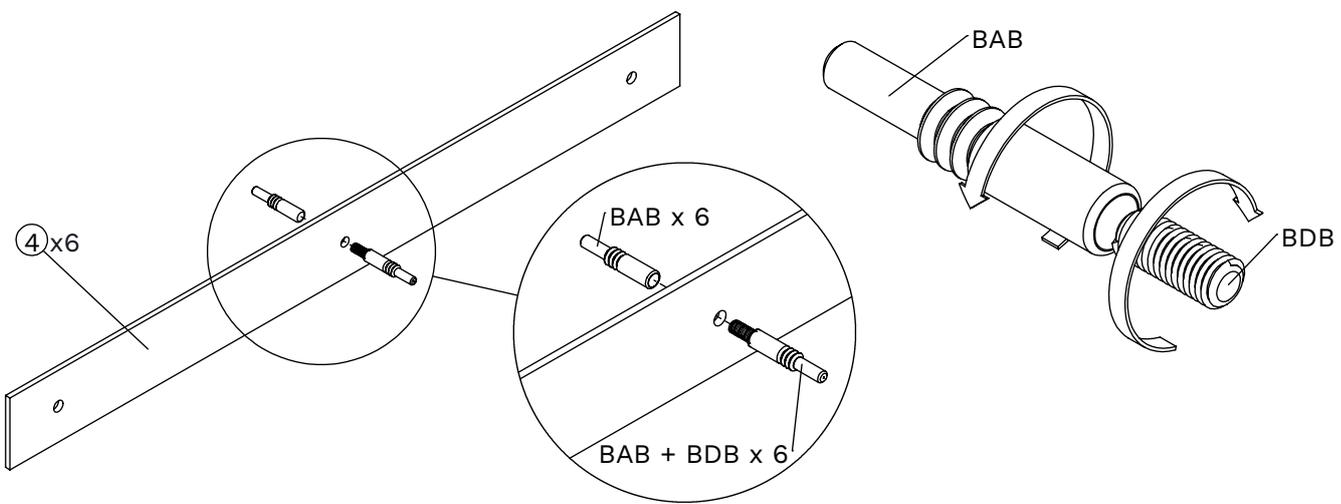
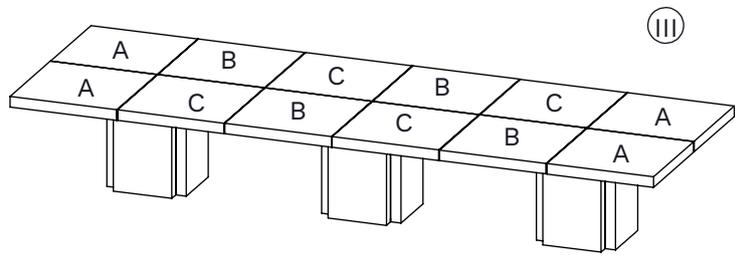
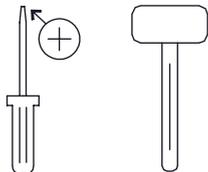
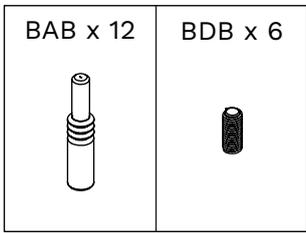
11



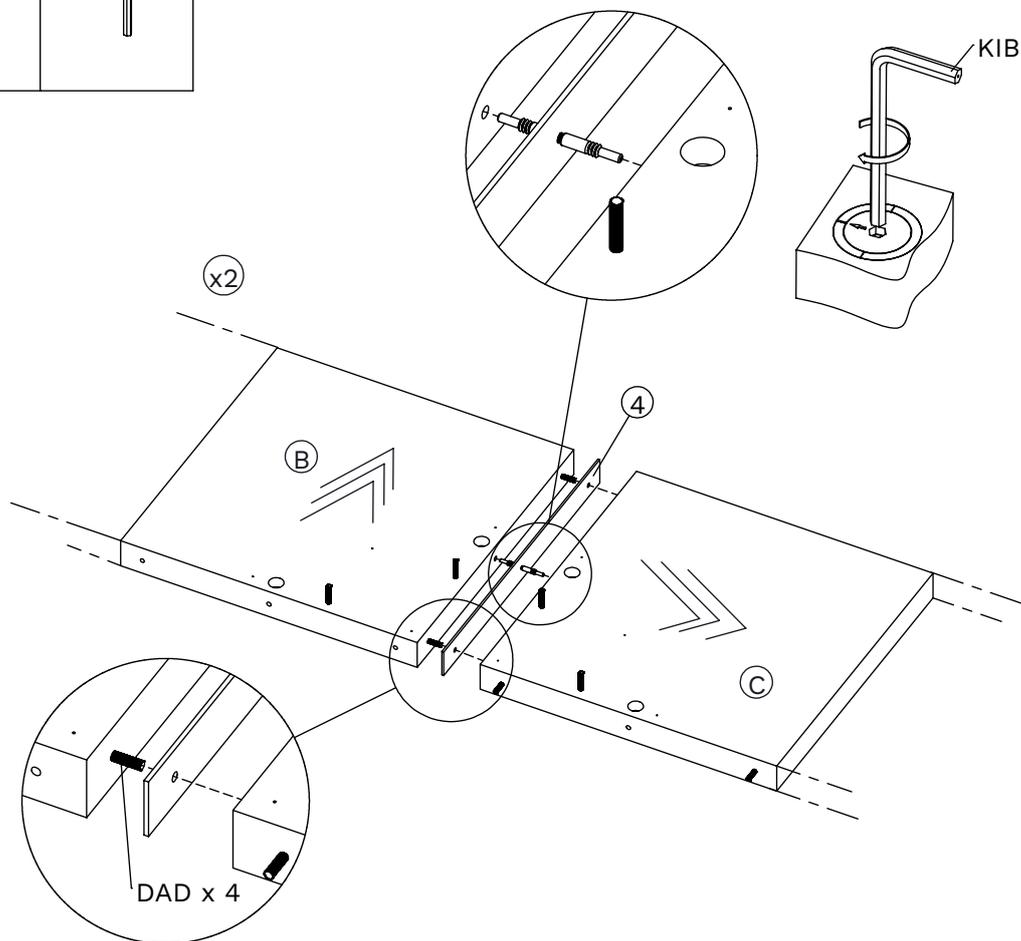
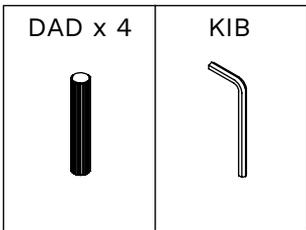
12



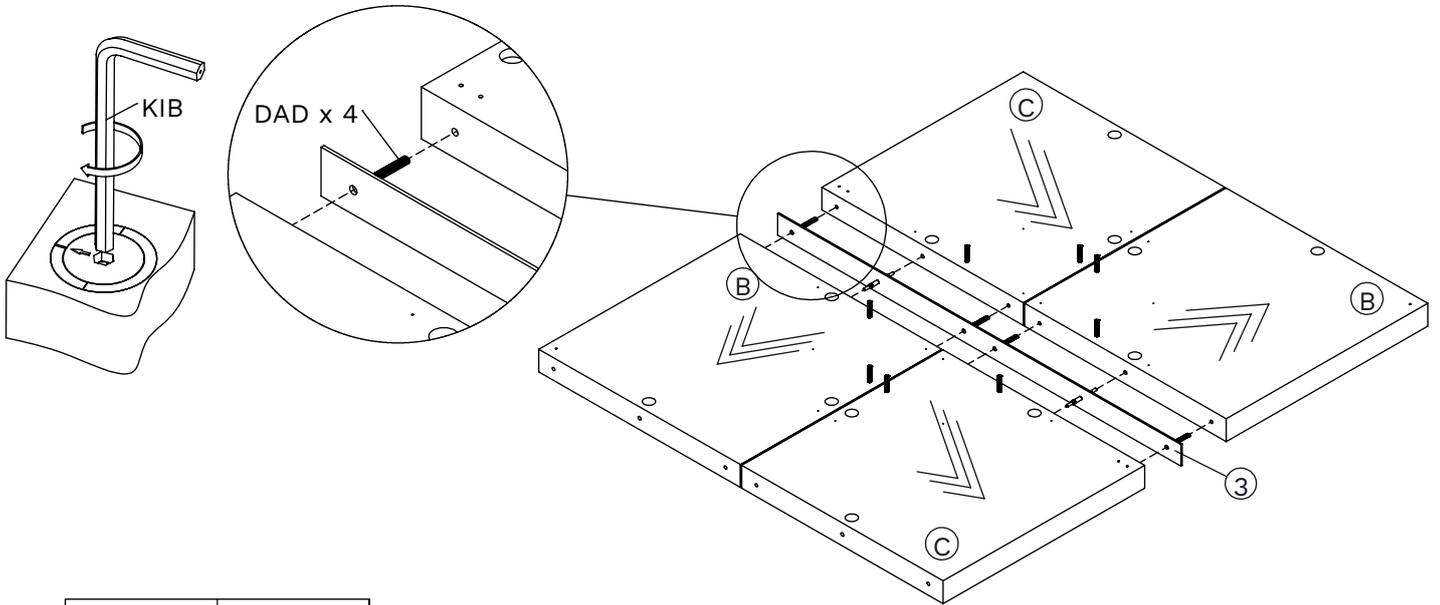
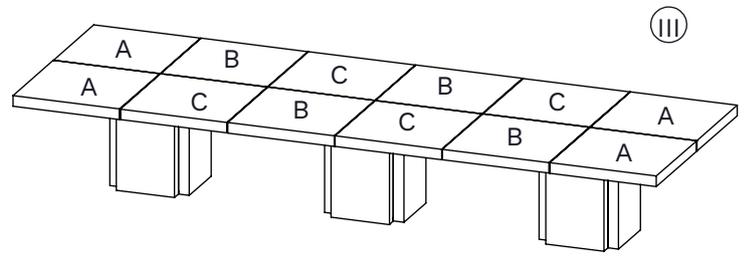
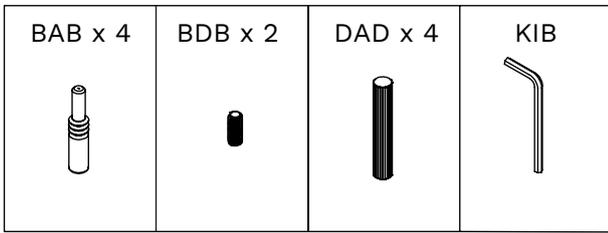
13



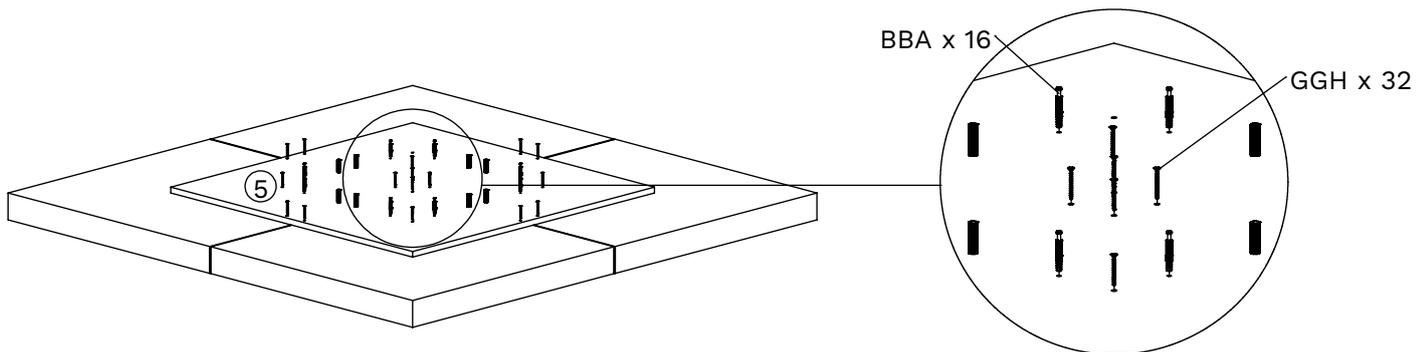
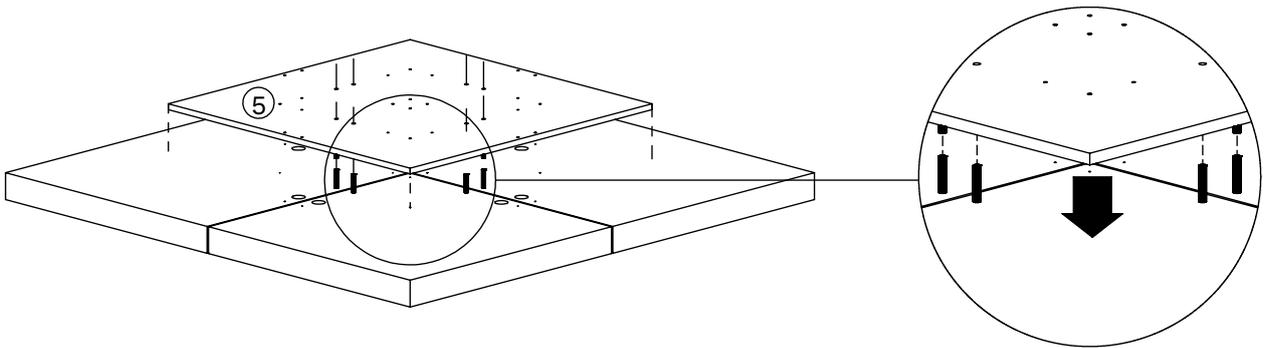
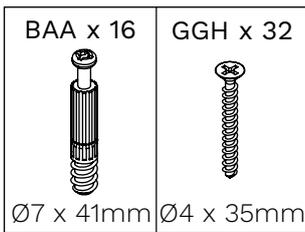
14



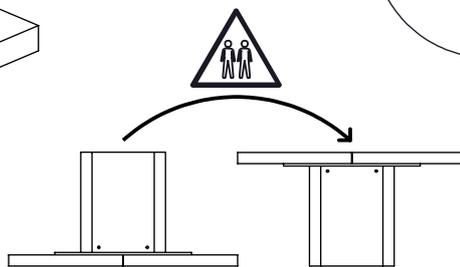
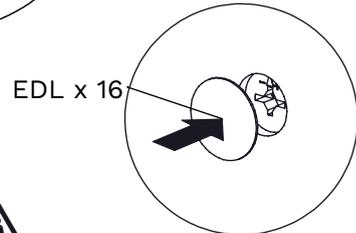
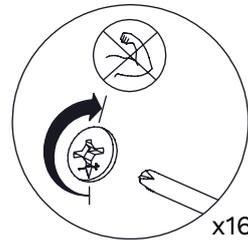
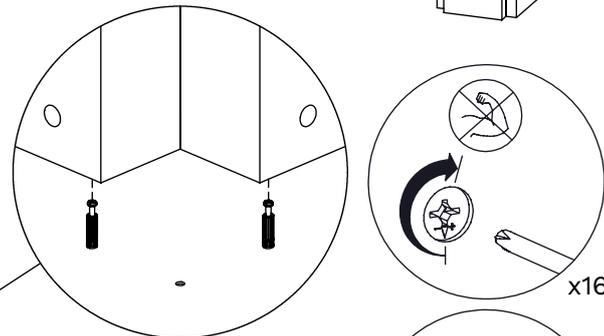
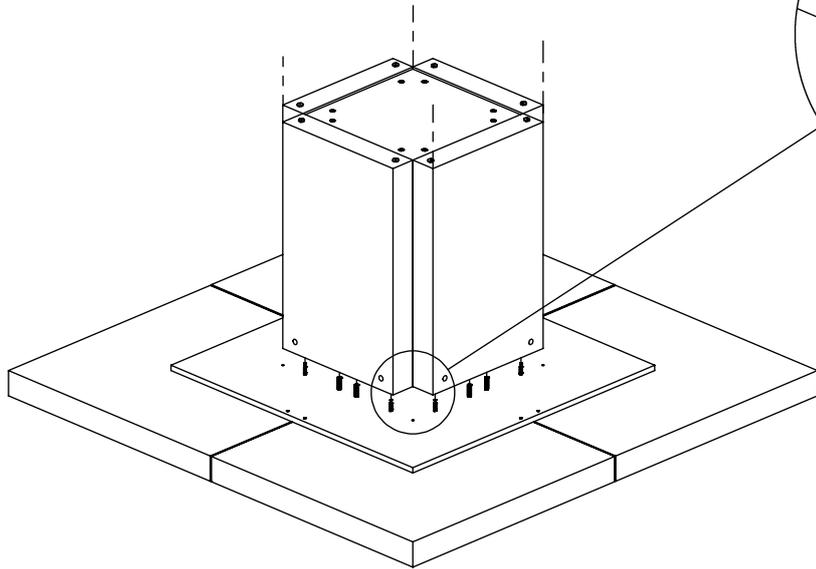
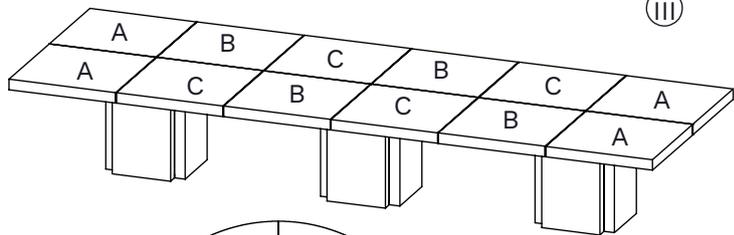
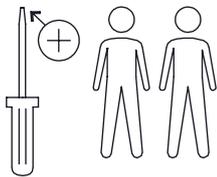
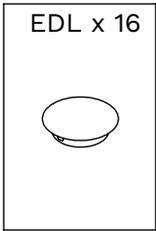
15



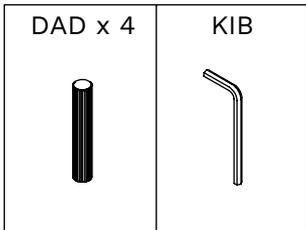
16



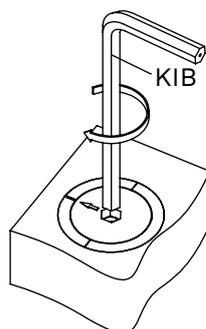
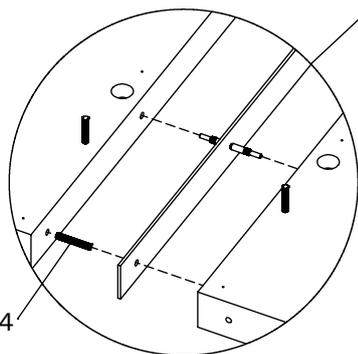
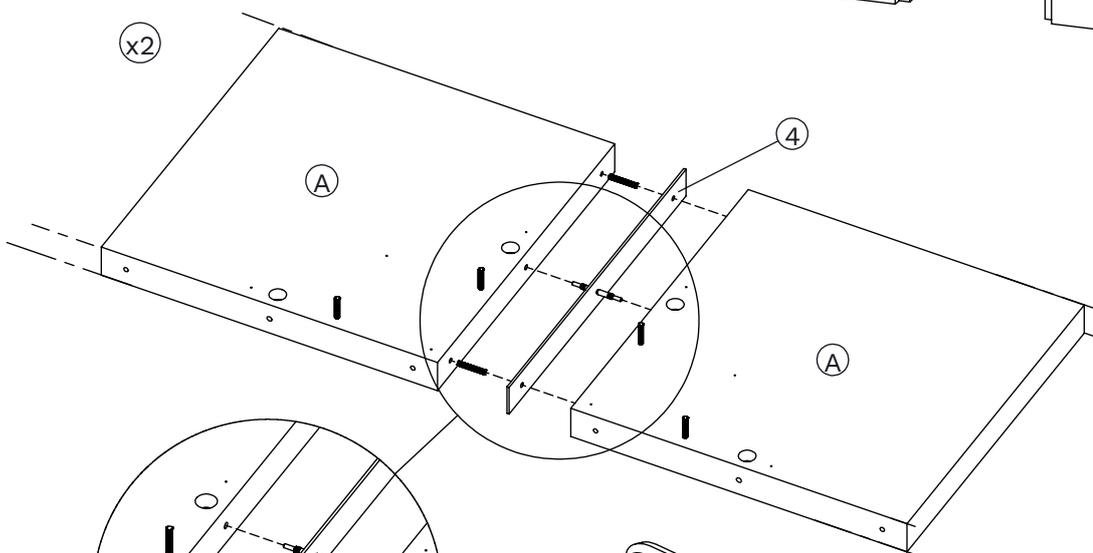
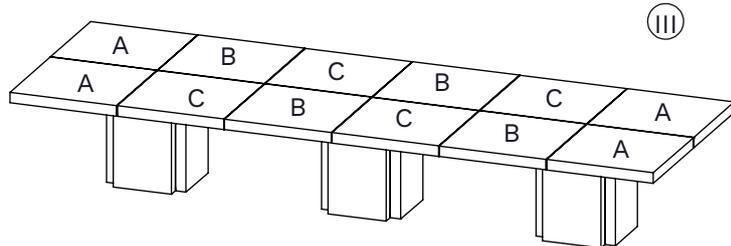
17



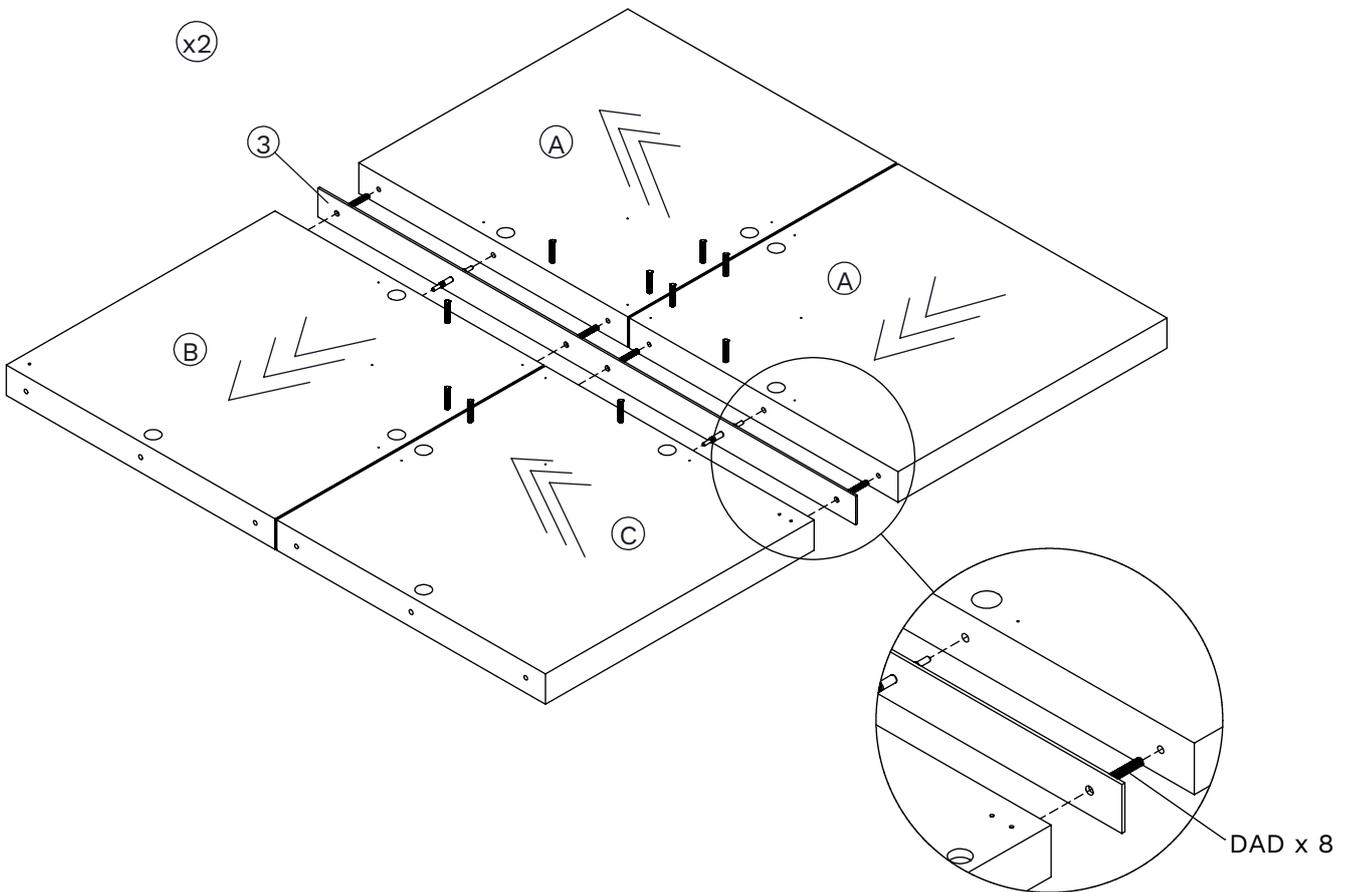
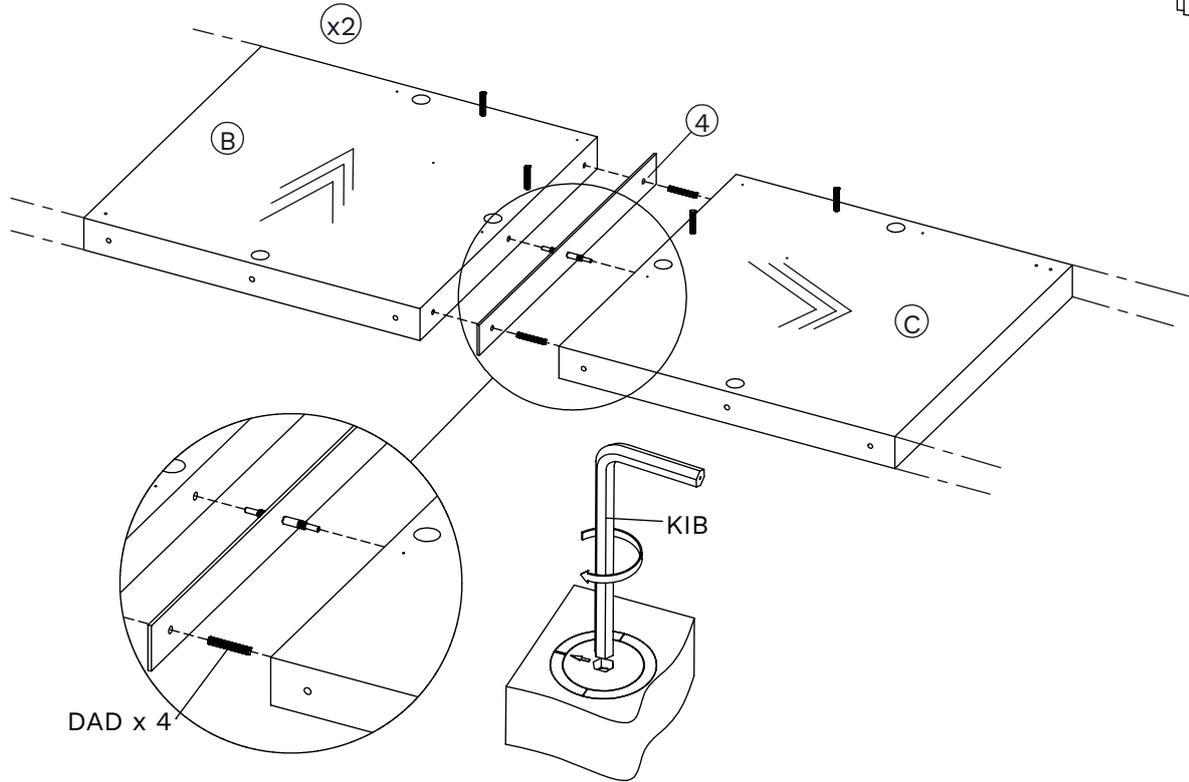
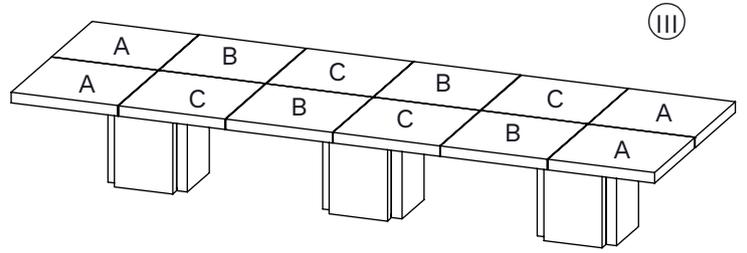
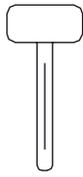
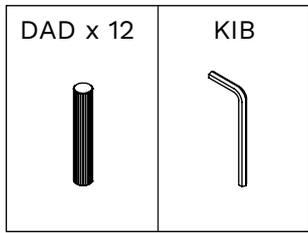
18



x2

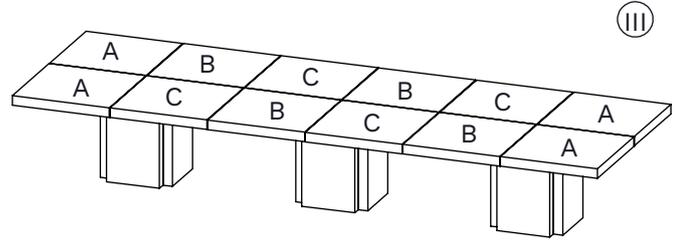
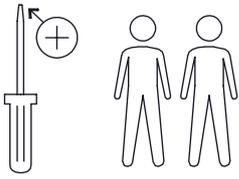


19

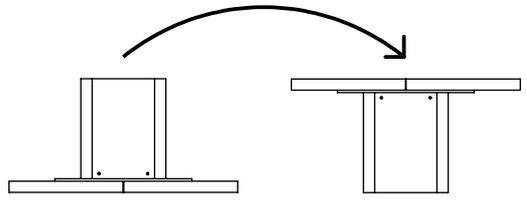
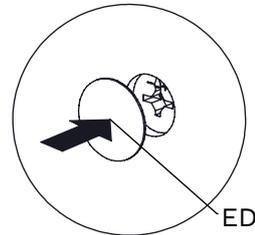
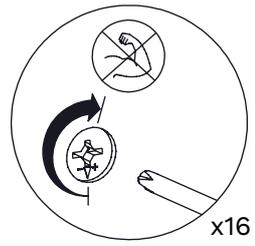
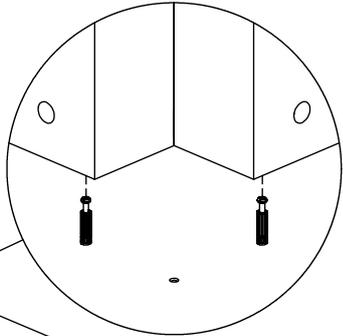
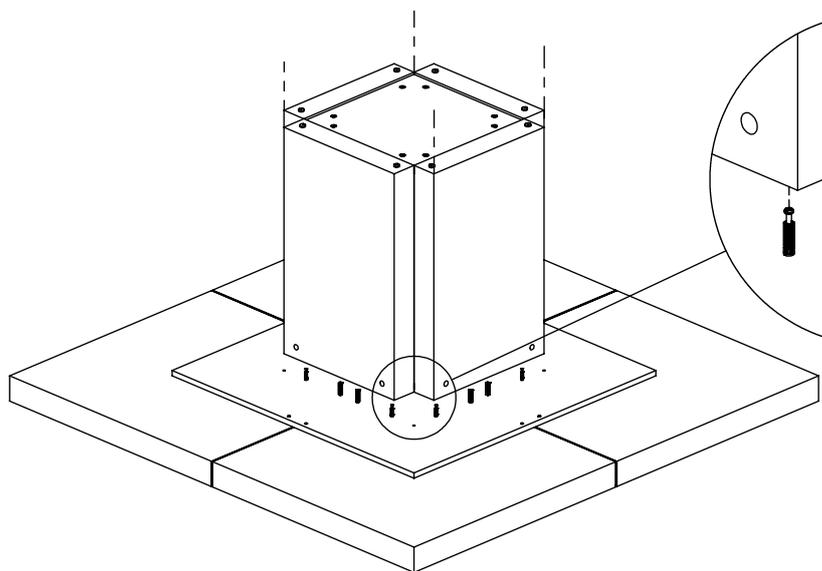
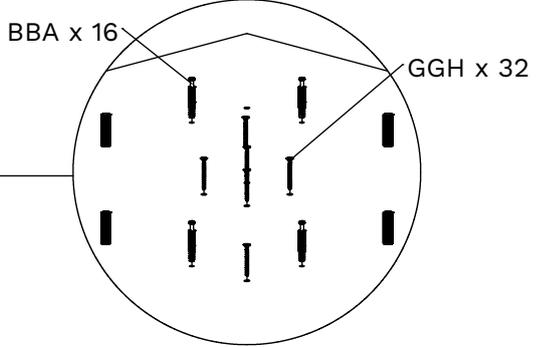
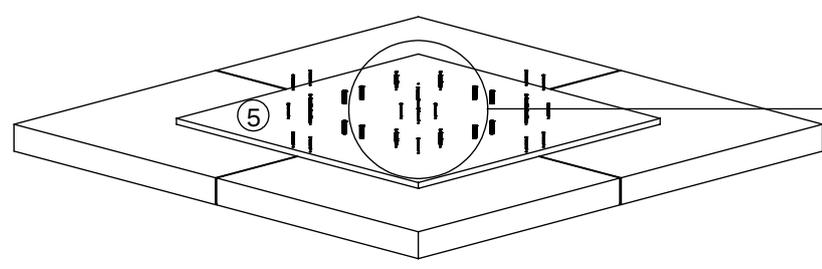
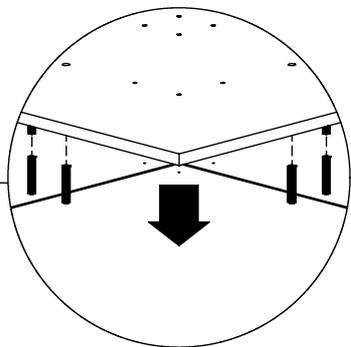
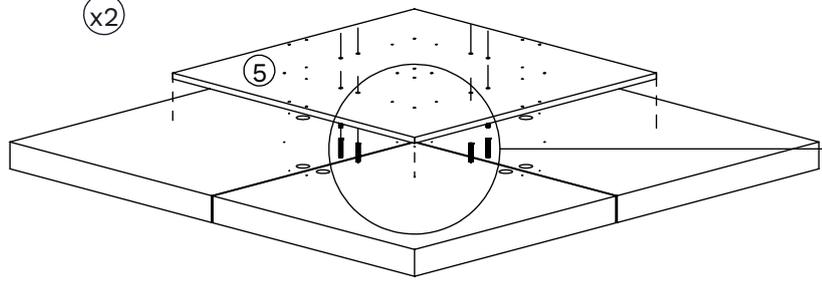


10

BAA x 16  Ø7 x 41mm	GGH x 32  Ø4 x 35mm	EDL x 16 
--	--	---



x2



11

BAA x 8	AAA x 4	CCC x 8	KIB
