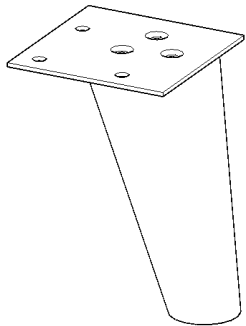
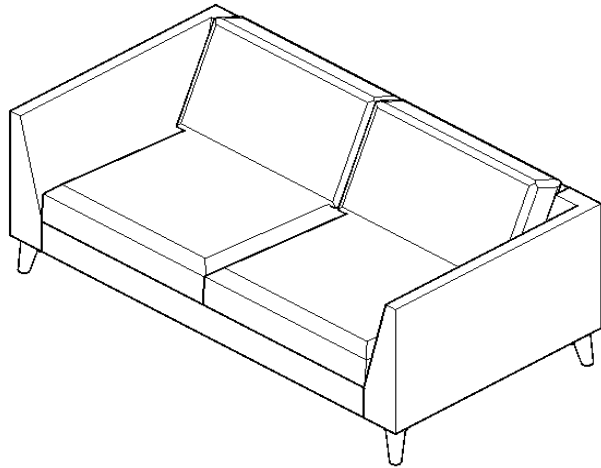


1-s, 2-s, 3-s / assembly instruction



Leg x4



(5x30) x12

