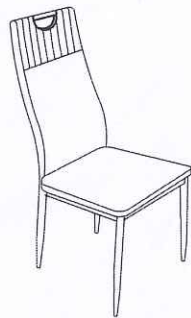


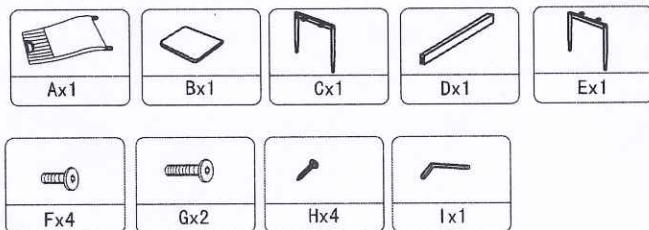
# ASSEMBLY INSTRUCTIONS

## DINING CHAIR

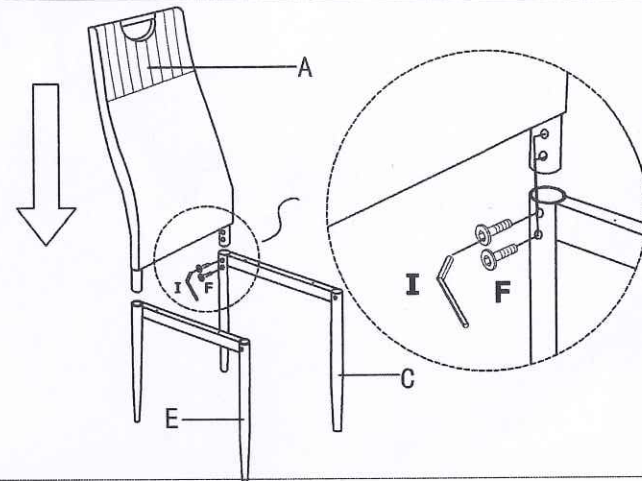
MODEL. NO. BC-1753



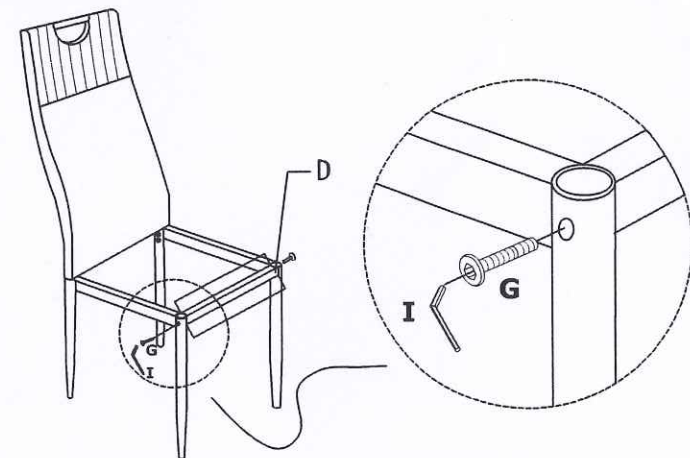
### COMPONENTS:



①



②



③

