

## Accessory List

A:



Inner Plastic Leg  
x 4

B:



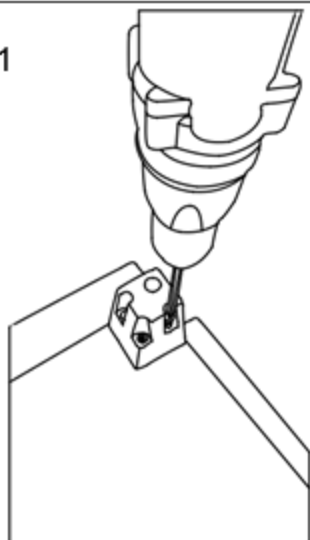
Outer Plastic Leg  
x 4

C:



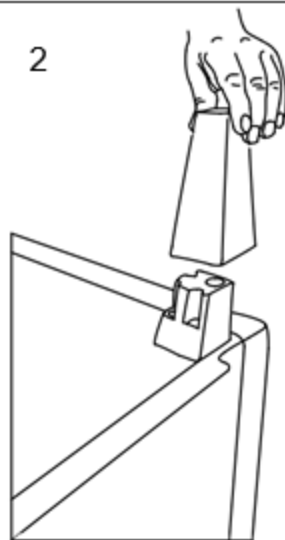
5x50 mm Screw  
x 16

1



The inner plastic leg will be mounted on the specified corner first. When positioning the leg, mount it with the flat parts of the leg looking outward.

2



Place the outer plastic leg on the inner plastic leg and press it firmly.

3

