

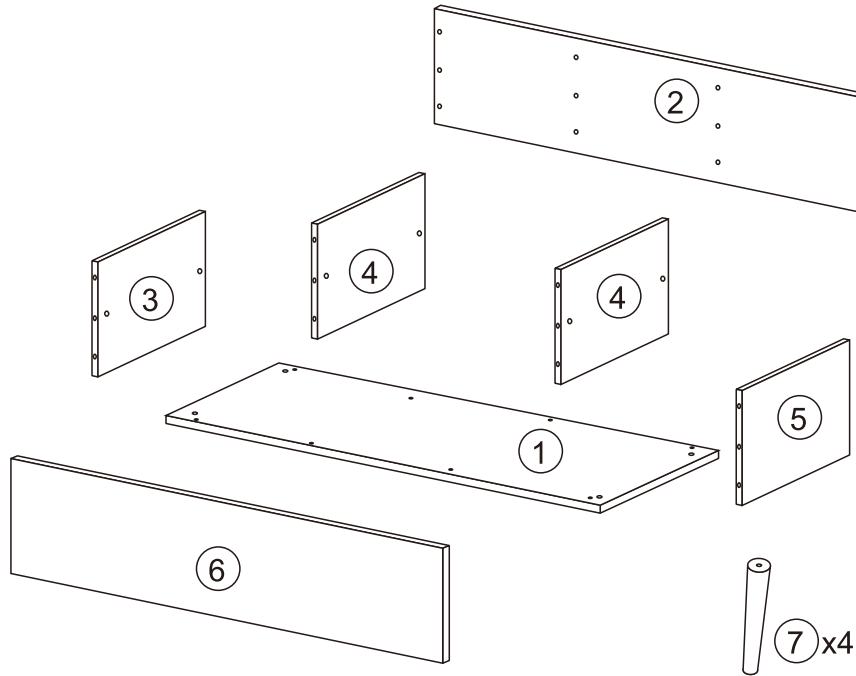
ASSEMBLY INSTRUCTION

BOOKCASE ,WHITE

50228436



Component List



Ax8PCS



Bx8PCS



Cx8PCS



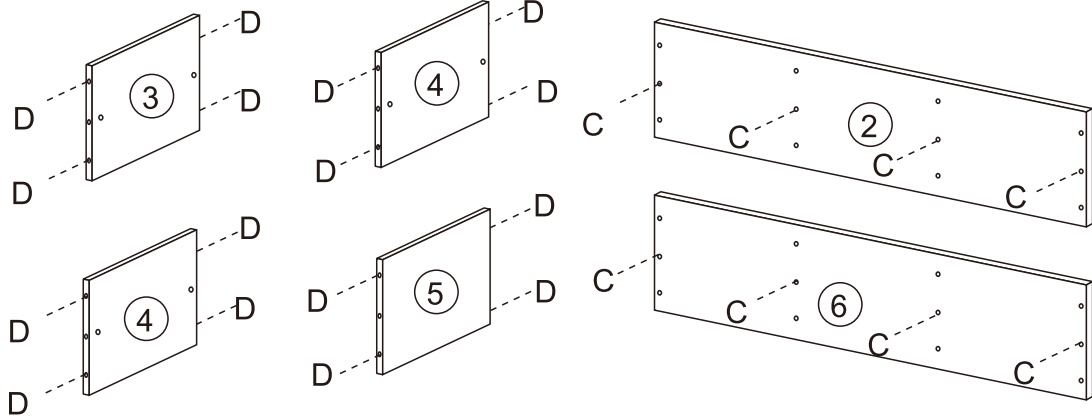
Dx16PCS



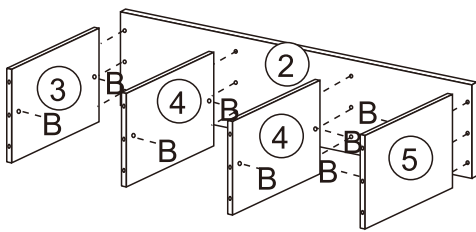
Ex4PCS

INSTRUCTION

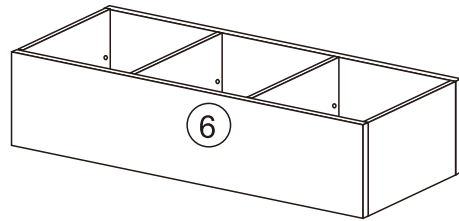
Step 1



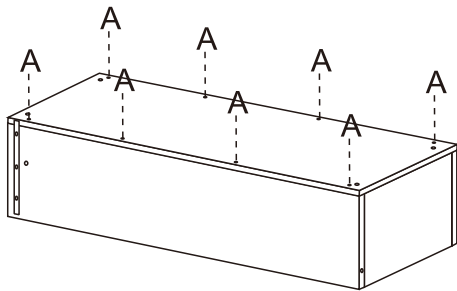
Step 2



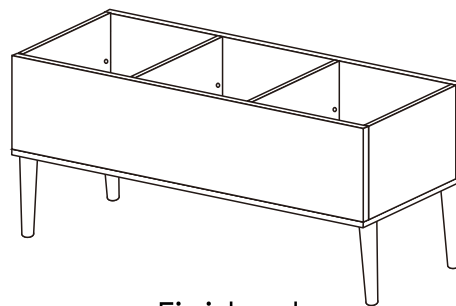
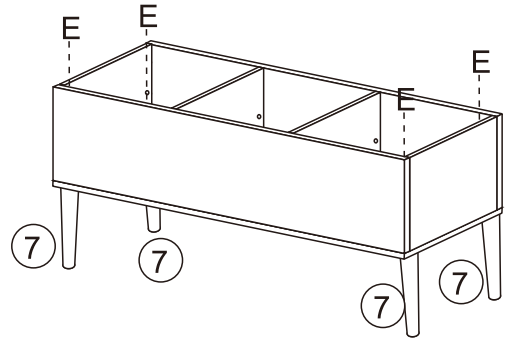
Step 3



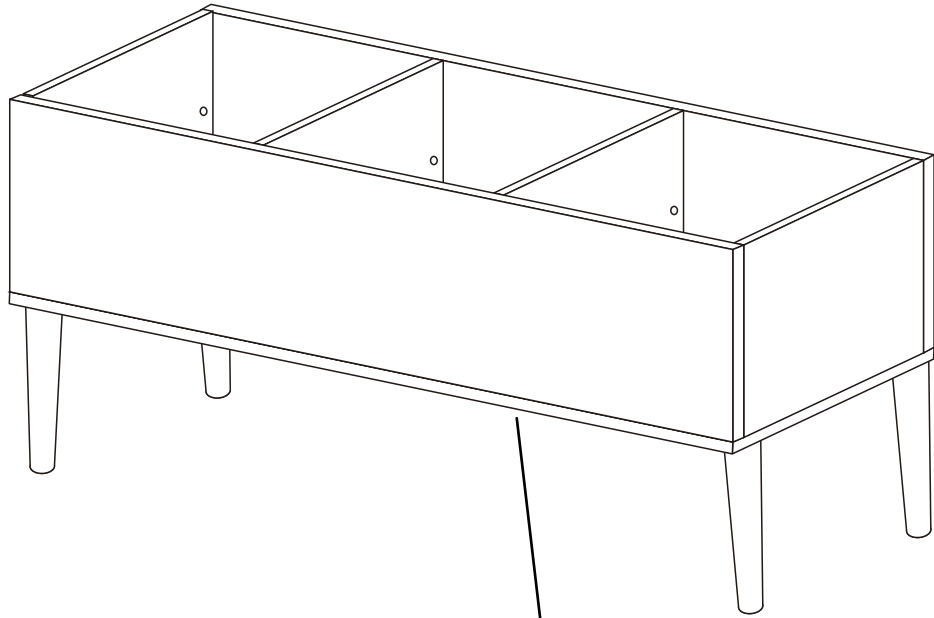
Step 4



Step 4



Finished



30kgs/66Lbs

***Bloomingville**[®]
-EVER CHANGING HOMES