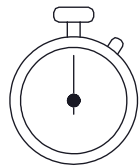
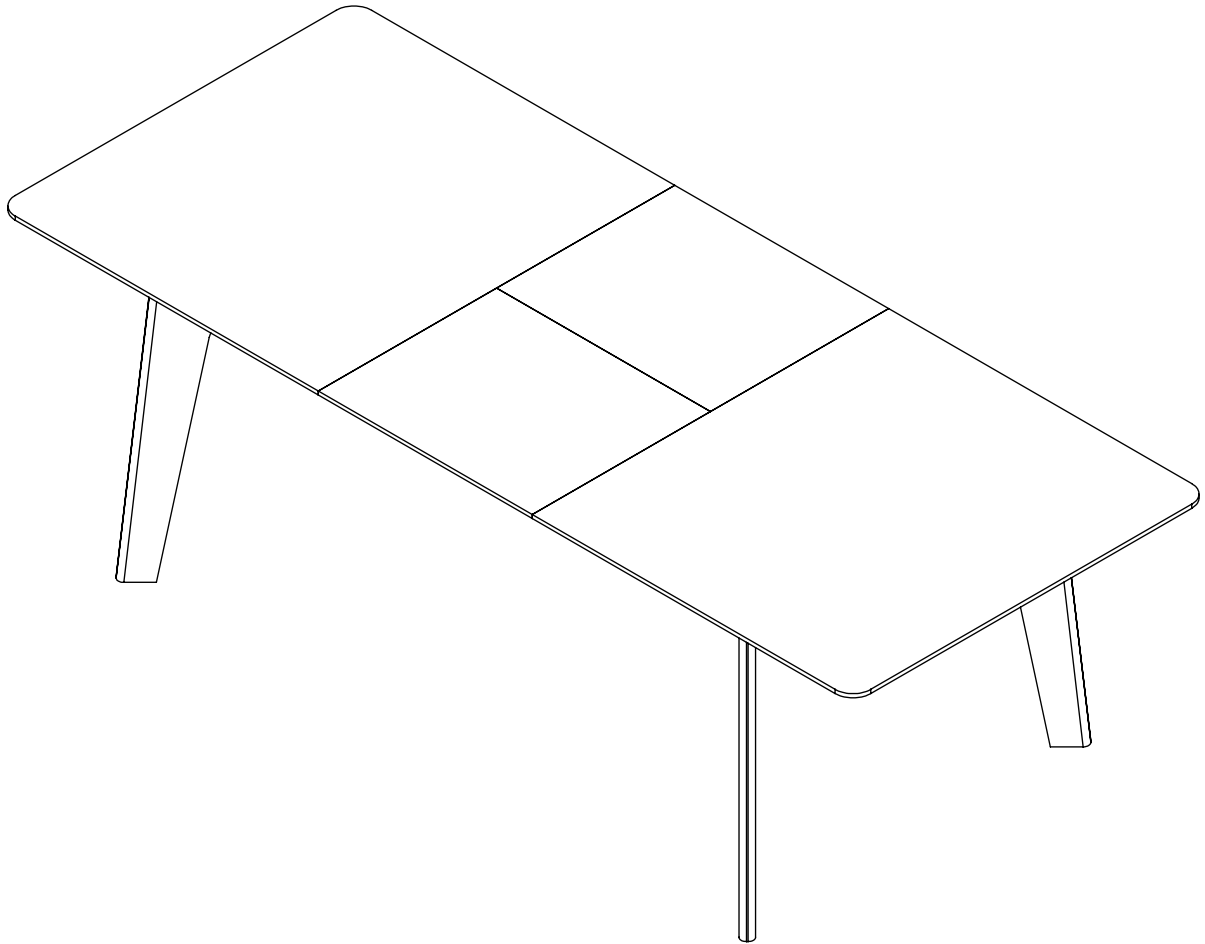
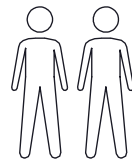


# SHADOW



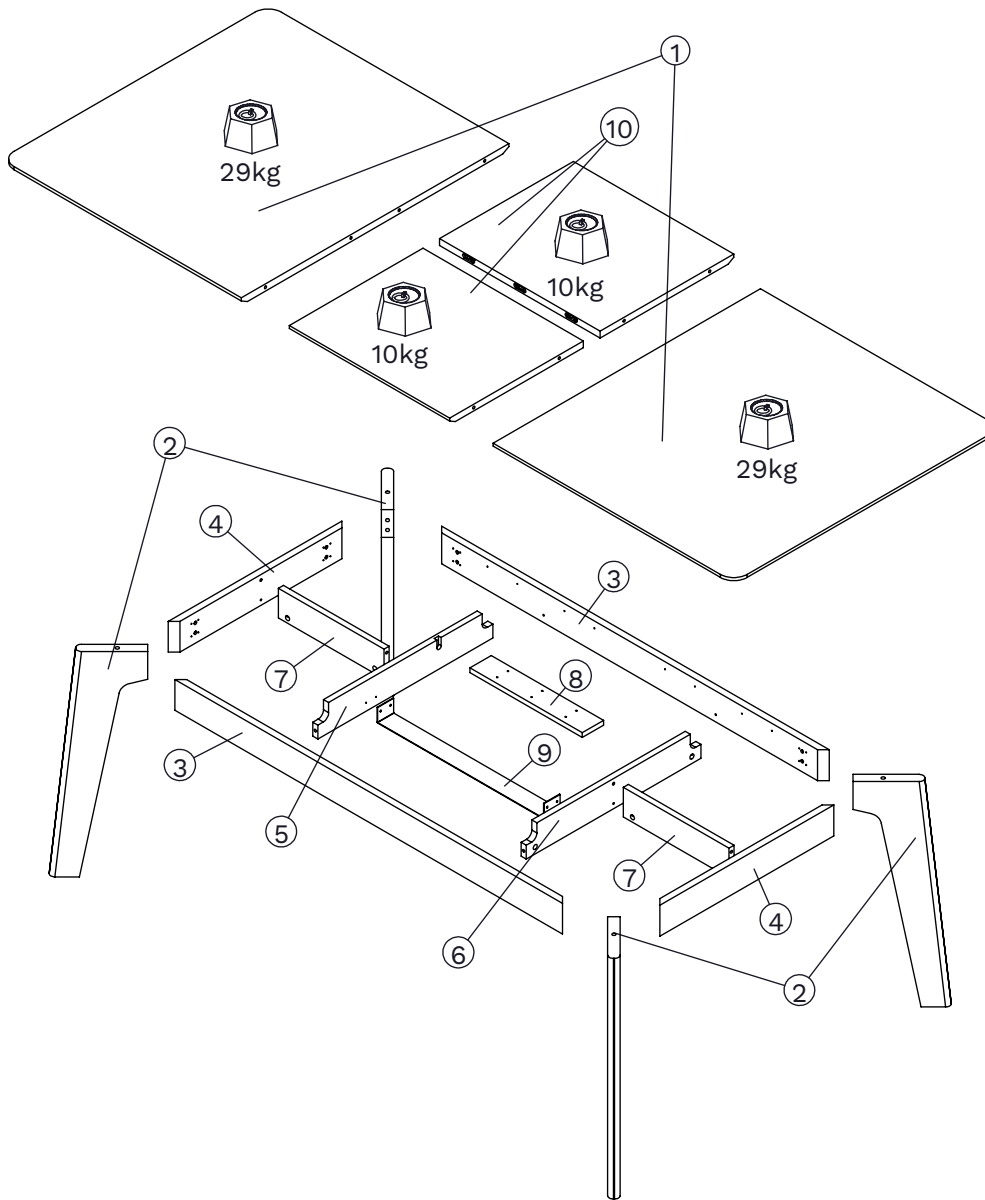
1 : 30




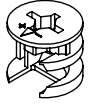
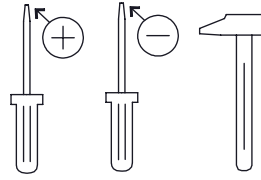
x 2



**TEMAHOME**  
welcome vibrations



○	x	mm	
1	2	1000 x 900 x 22	1
2	4	730 x 260 x 33	2
3	2	1450 x 100 x 22	2
4	2	650 x 100 x 22	2
5	1	654 x 98 x 19	2
6	1	654 x 98 x 19	2
7	2	395 x 96 x 19	2
8	1	420 x 80 x 16	2
9	1	625 x 60 x 50	2
10	2	600 x 500 x 22	1



AAA x 8

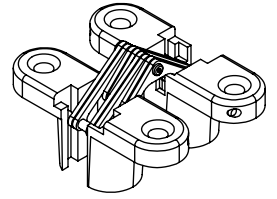


Ø7 x 41mm

BAA x 8



DAC x 4



KDN x 3



Ø5 x 16mm

GGL x 32



Ø4 x 16mm

GGK x 40



Ø4 x 16mm

GGS x 4



Ø3,5 x 25mm

GGB x 18

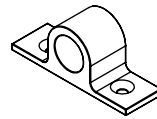


M6 x 90mm

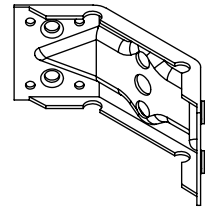
ISJ x 8



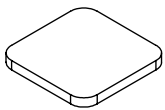
BDE x 4



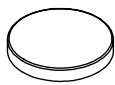
EPA x 2



SAL x 4



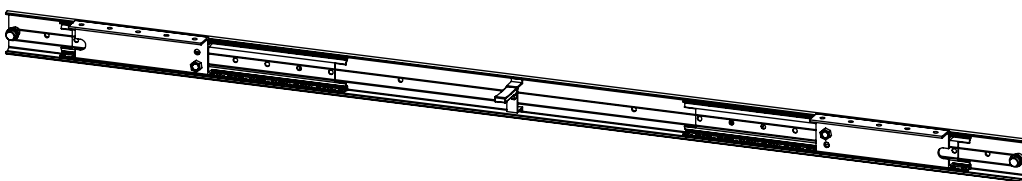
EDX x 10



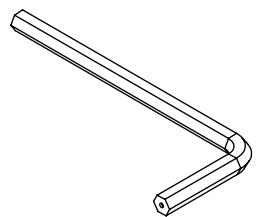
EDY x 4



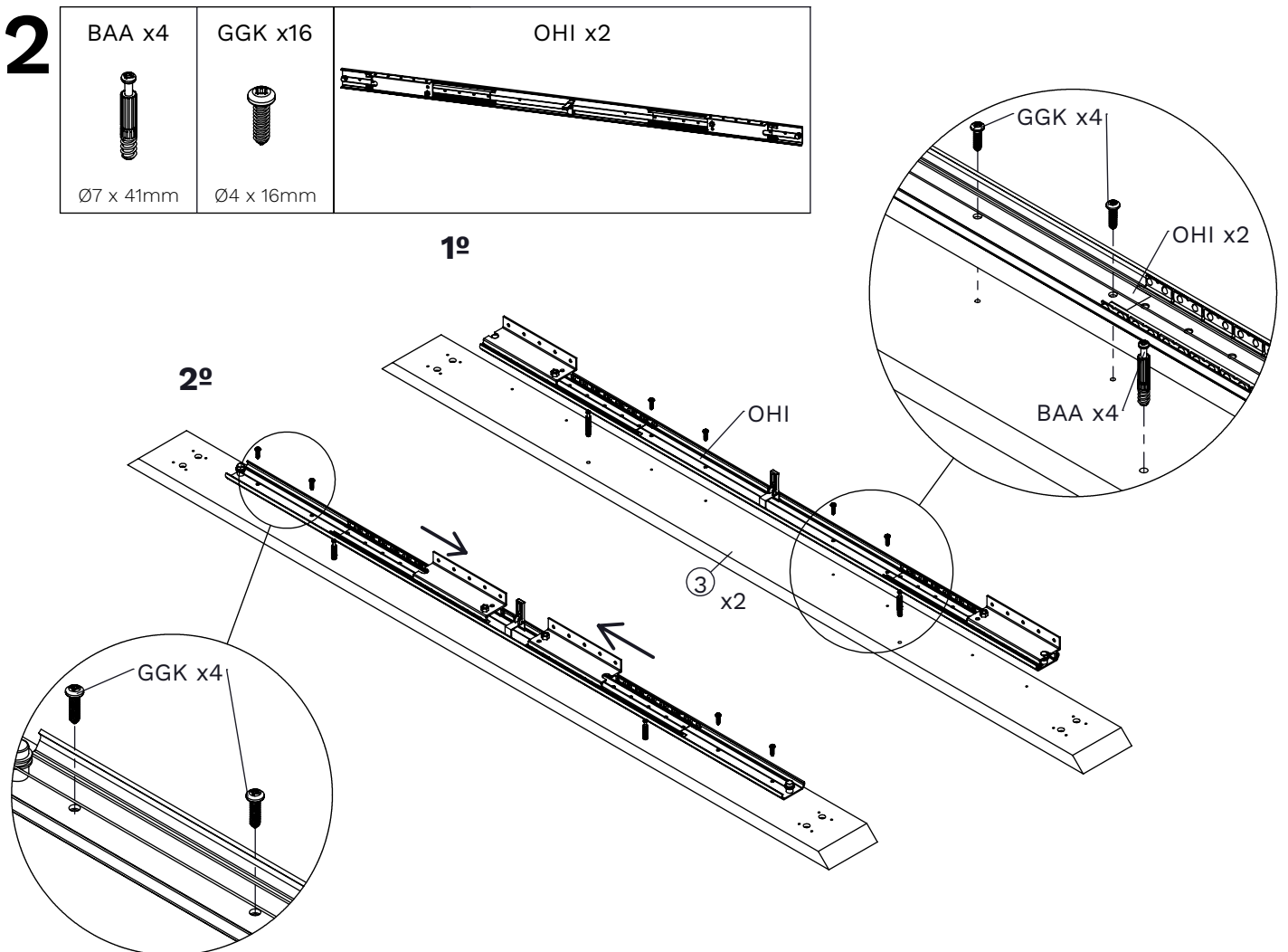
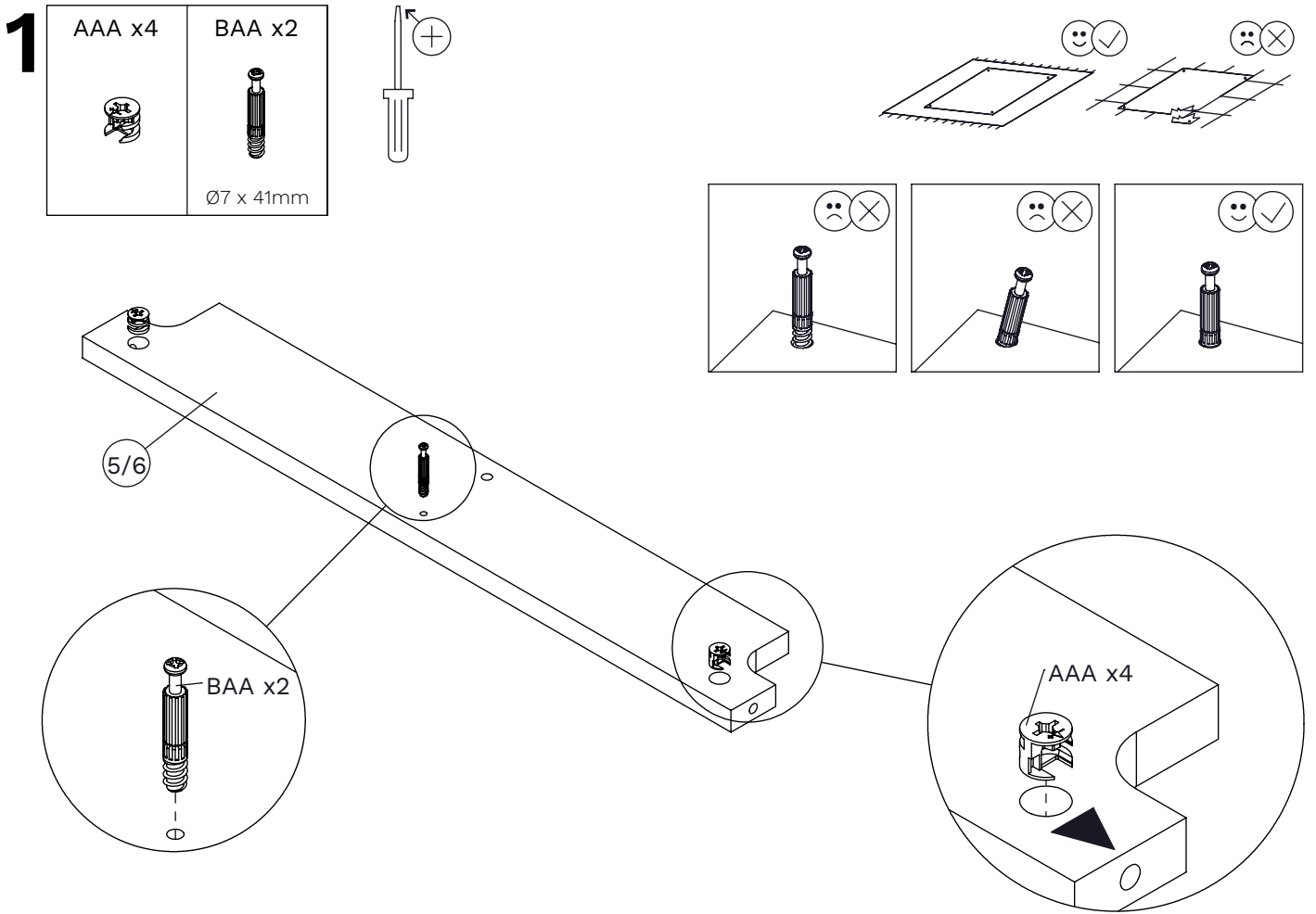
TX x 1



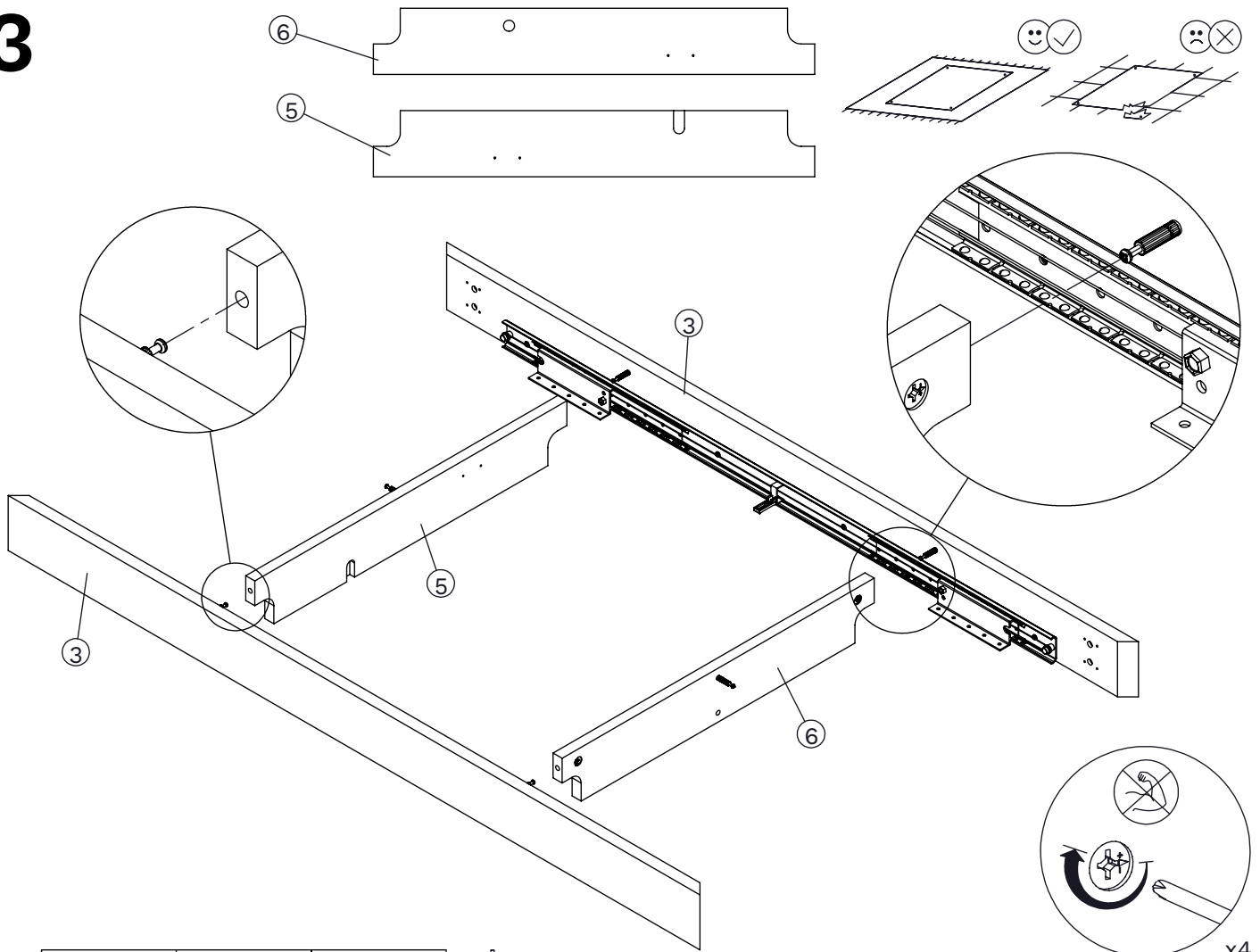
OHI x 2



KJ x 1

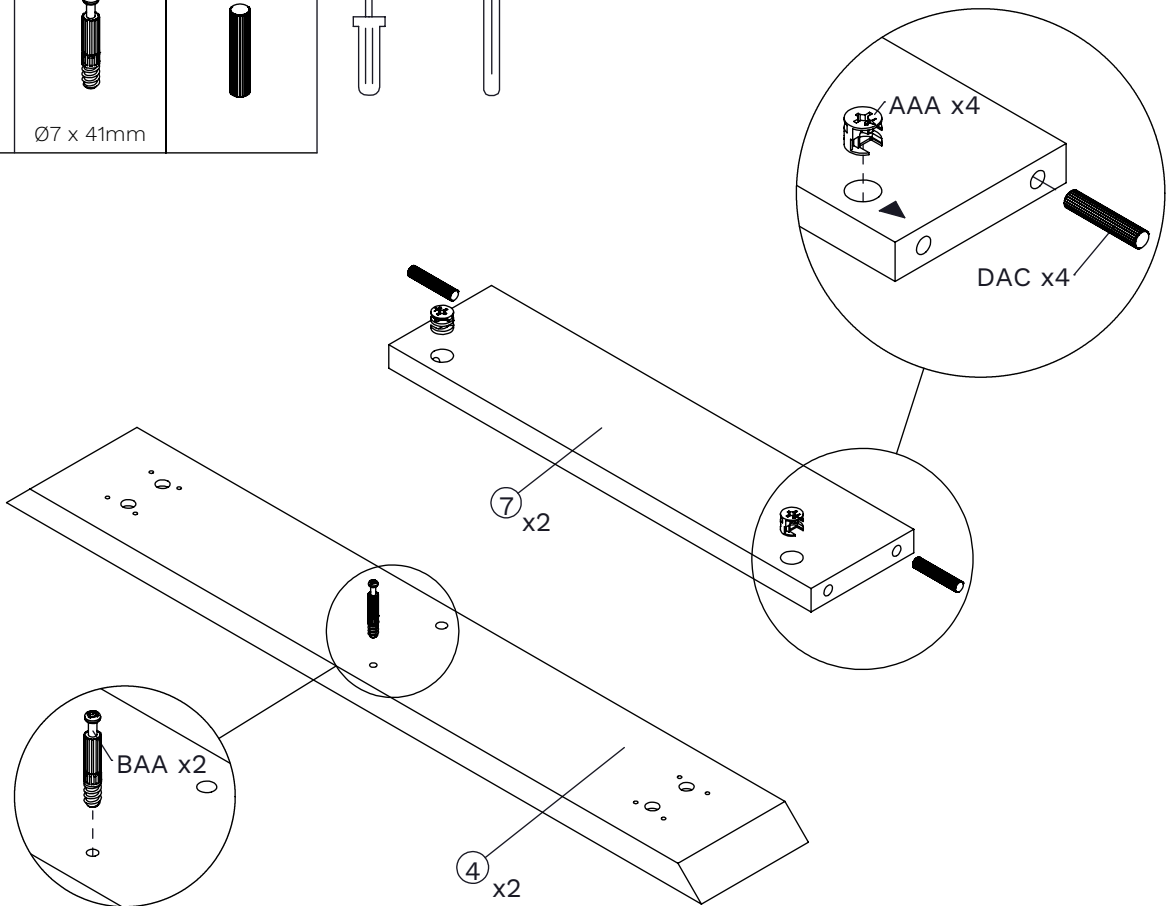
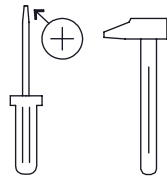


# 3

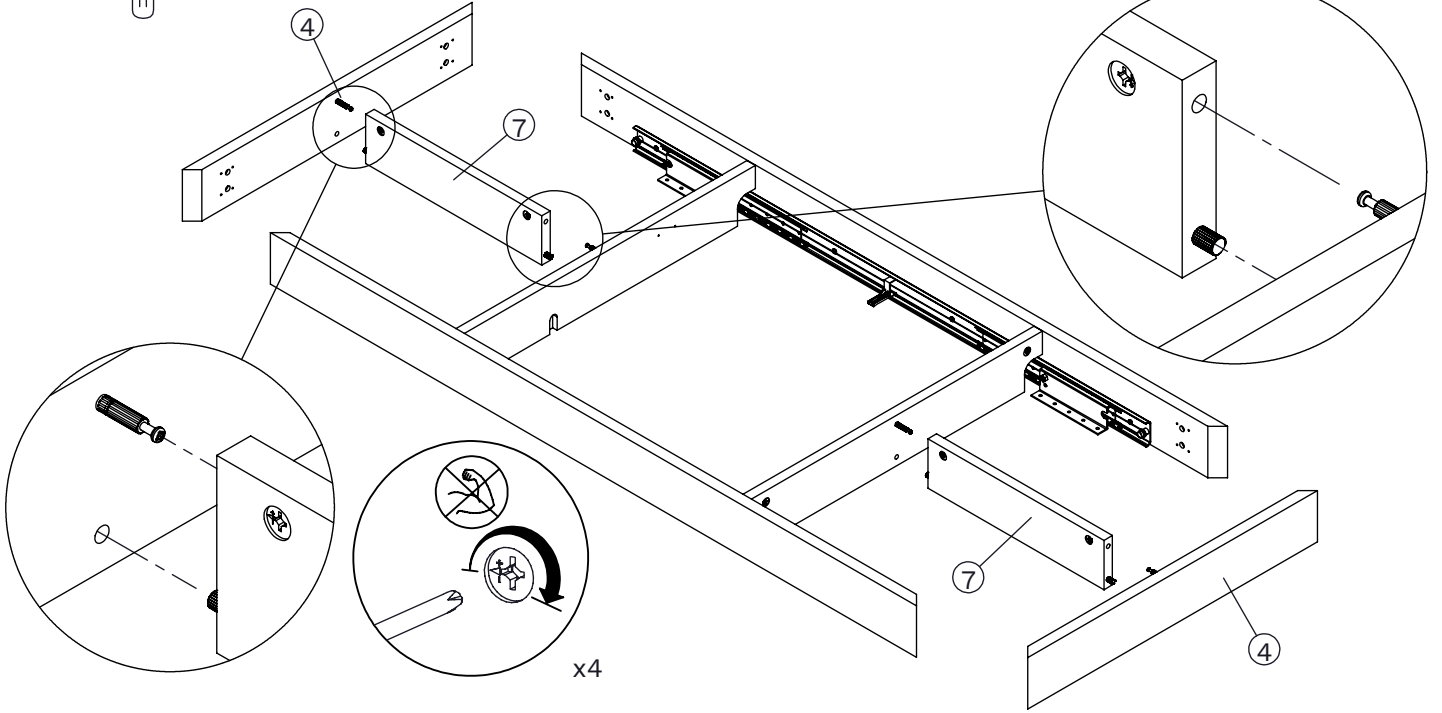
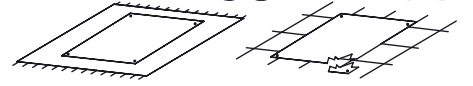
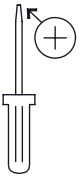


# 4

AAA x4	BAA x2	DAC x4
	Ø7 x 41mm	

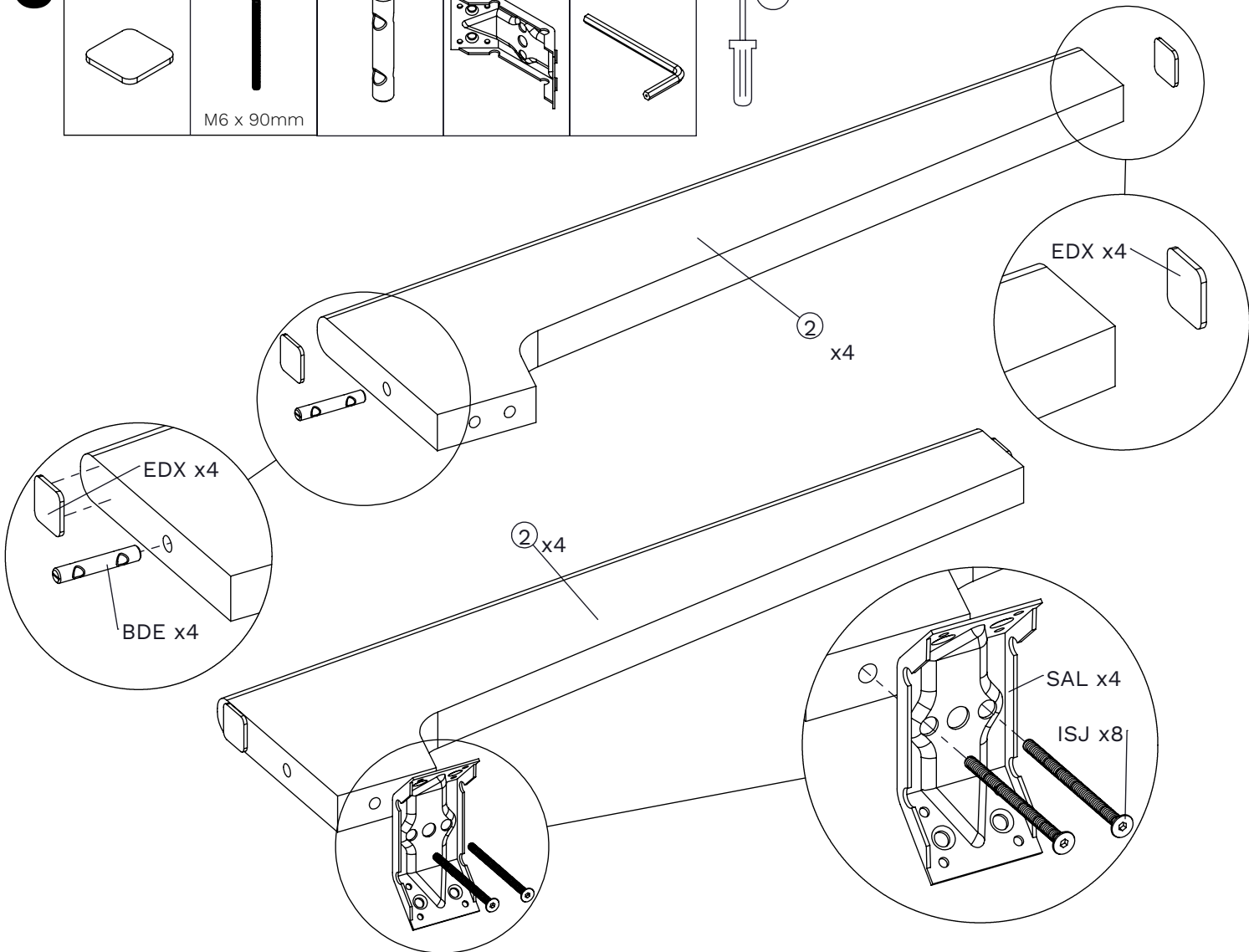
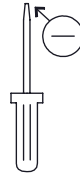


**5**



**6**

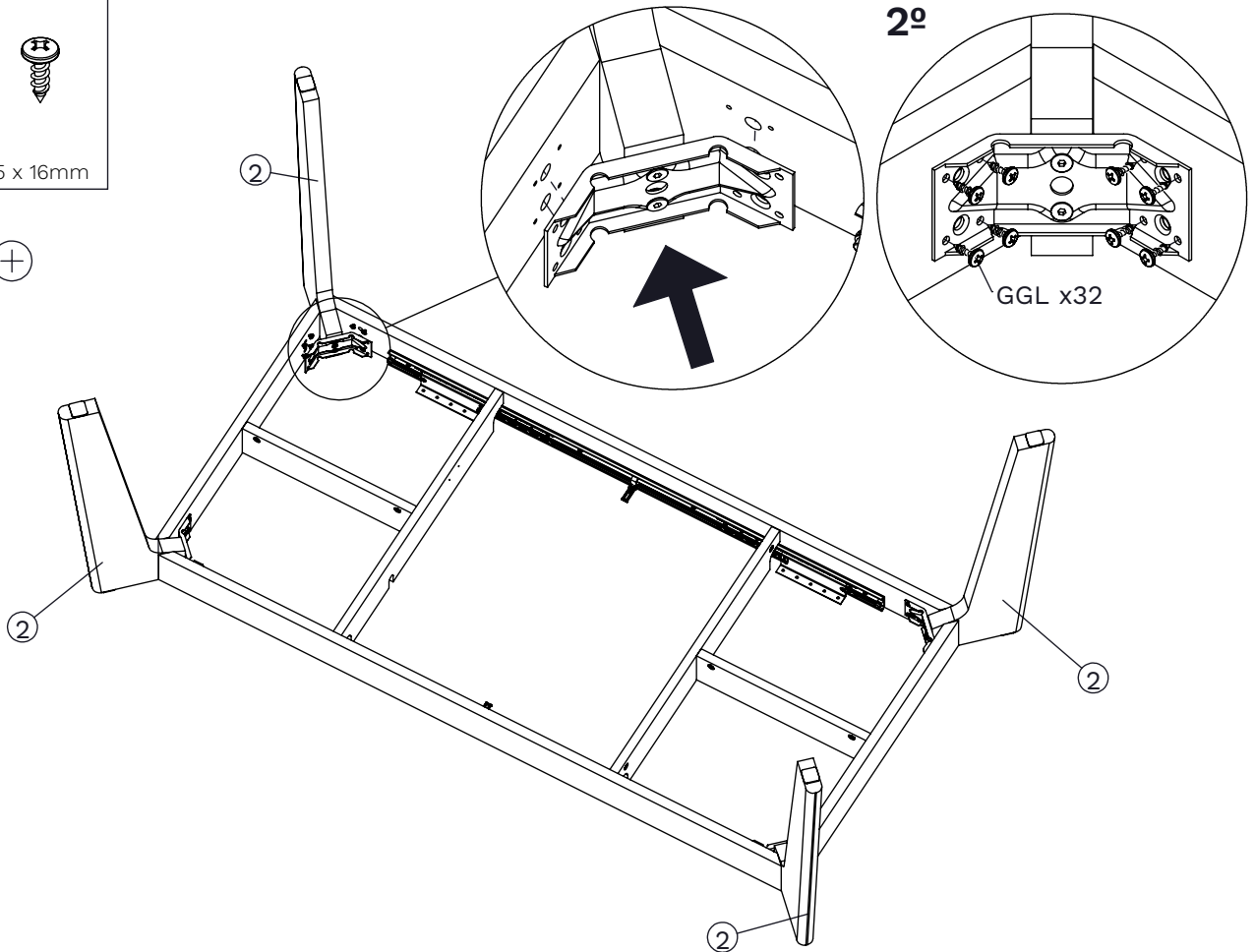
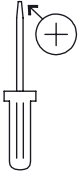
EDX x8	ISJ x8	BDE x4	SAL x4	KJ x1
	M6 x 90mm			



**7** GGL x32



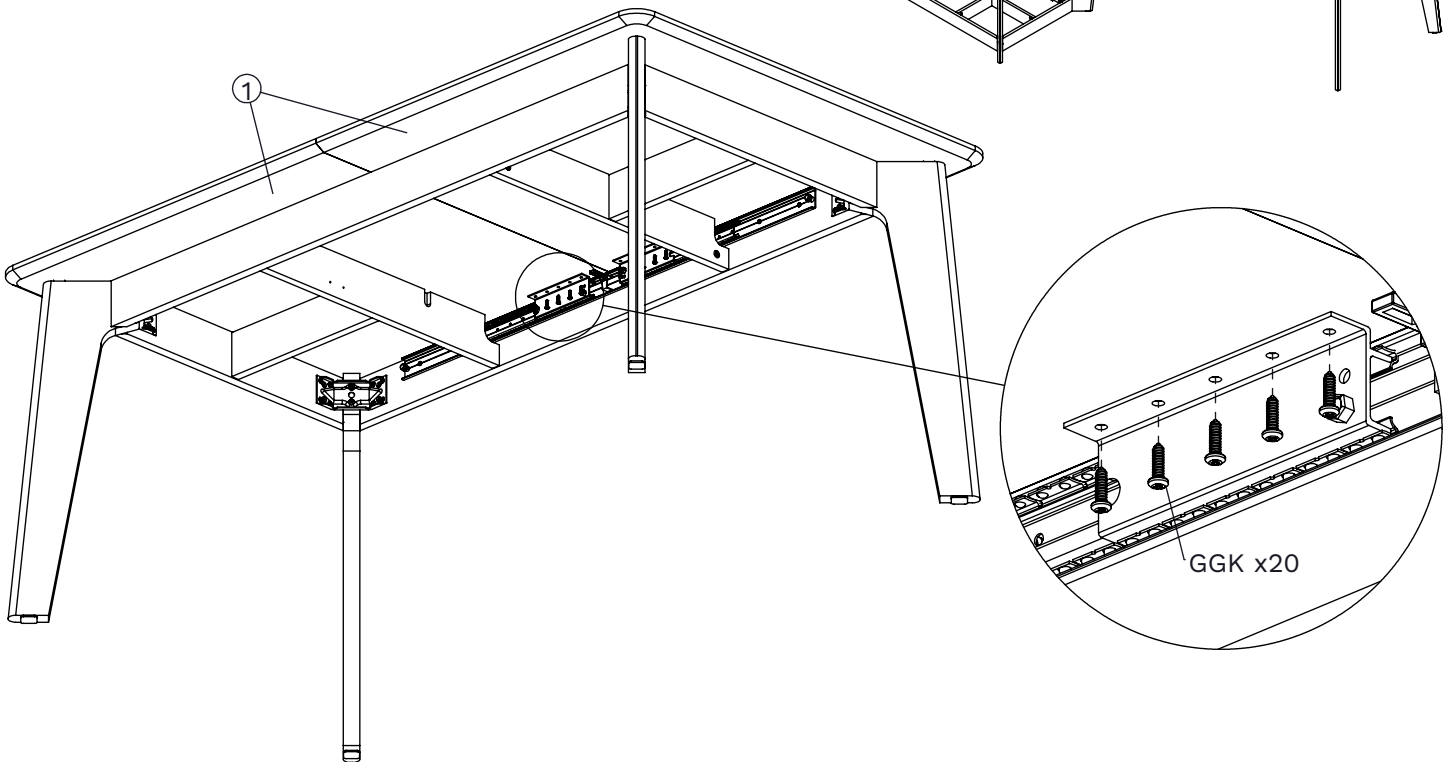
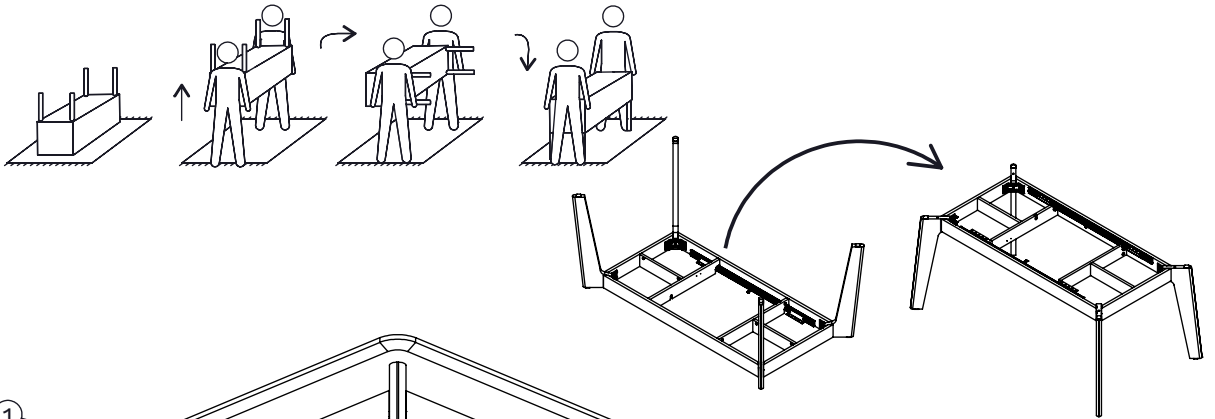
Ø5 x 16mm




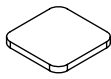
**8** GGK x20

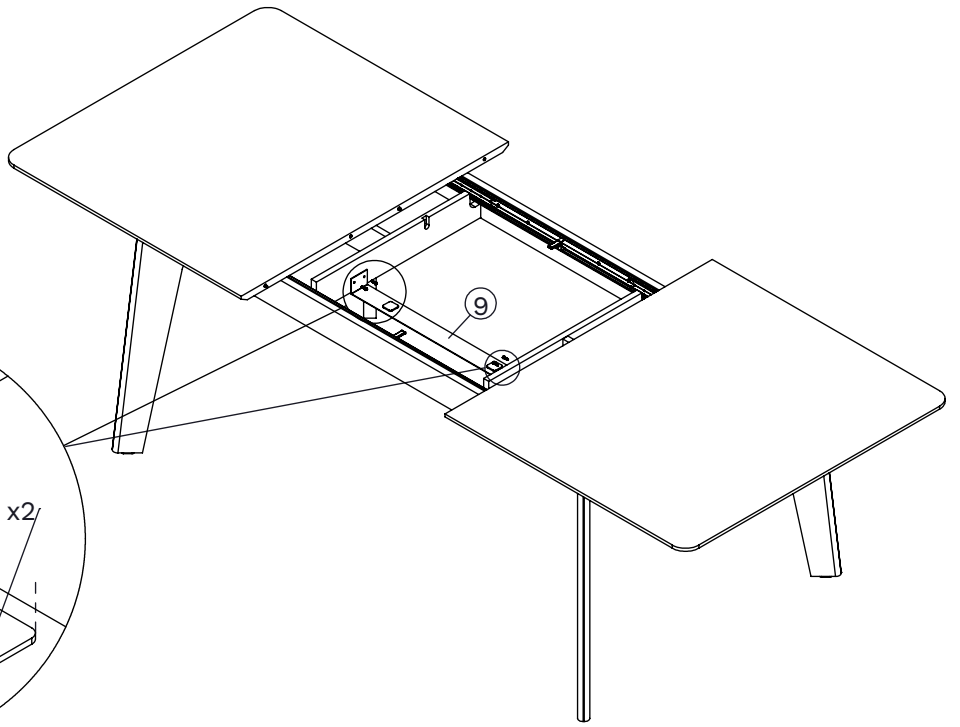
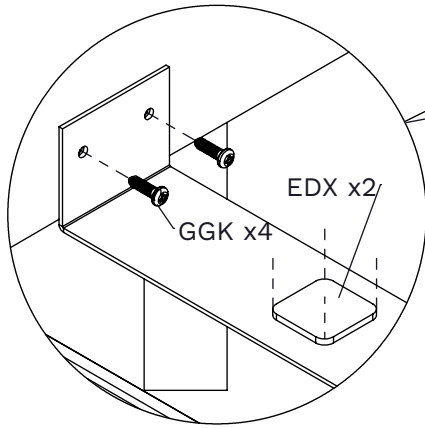
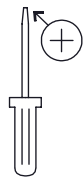


Ø4 x 16mm





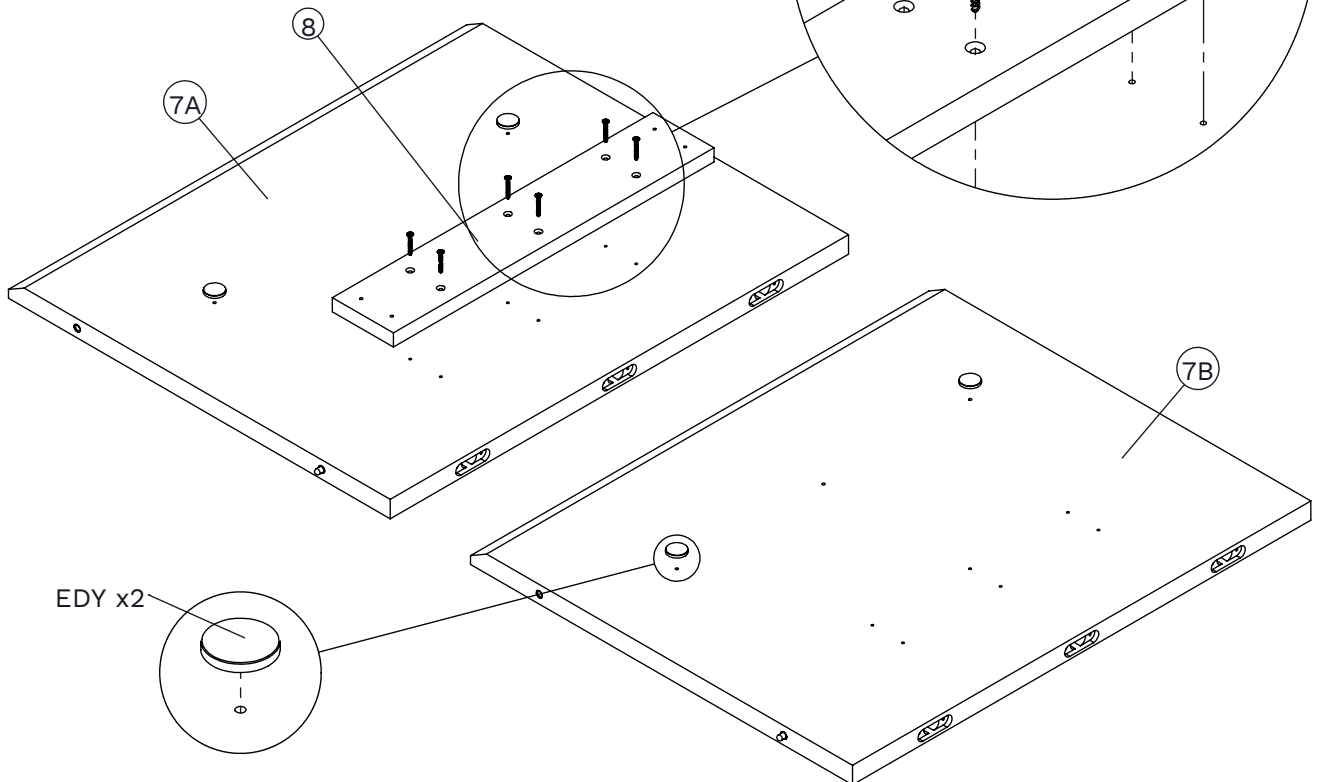
# 9

GGK x4	EDX x2
	
Ø4 x 16mm	





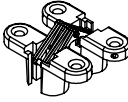
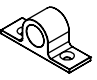
# 10

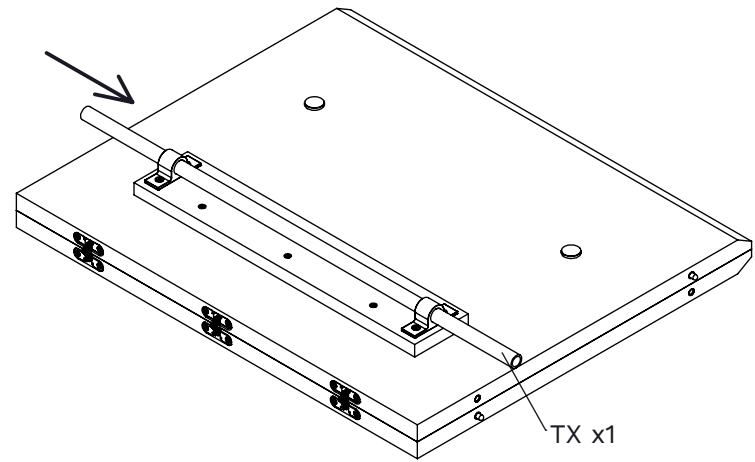
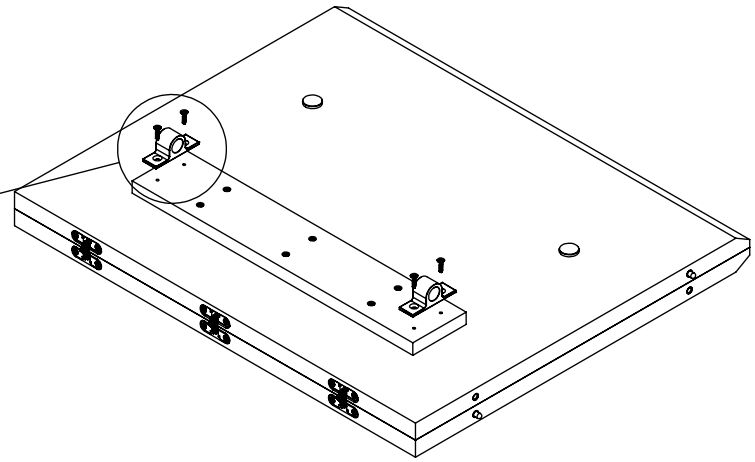
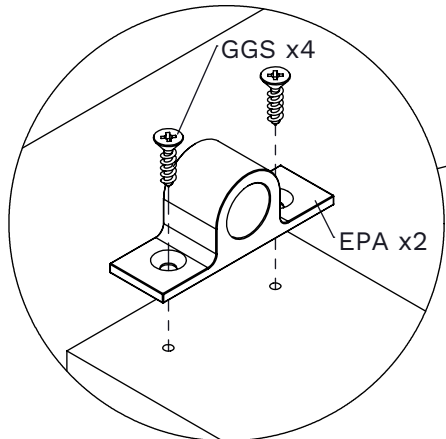
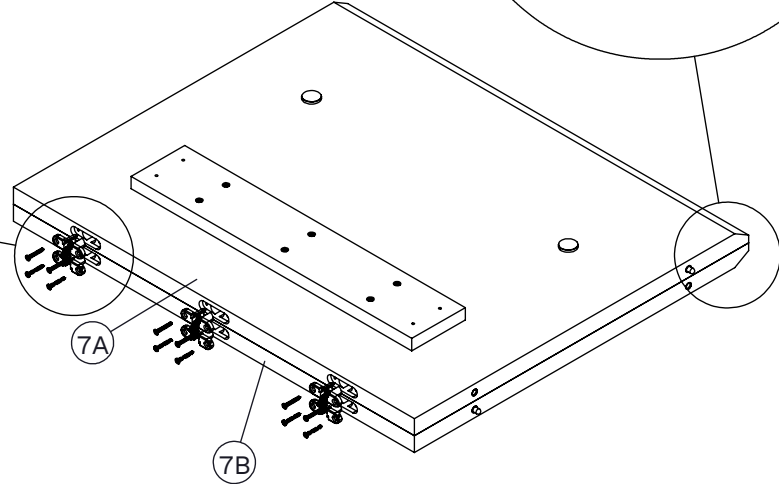
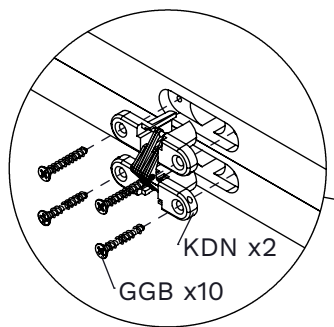
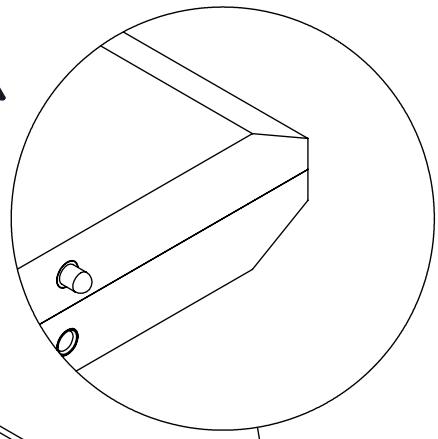
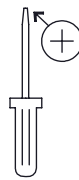
GGB x6	EDY x4
	
Ø3,5 x 25mm	



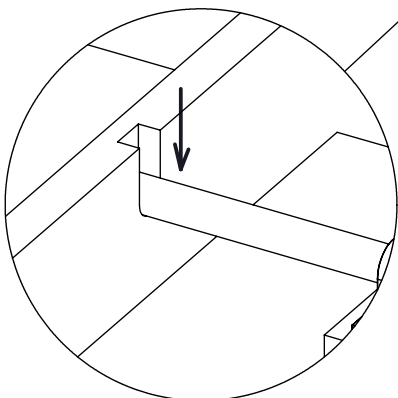
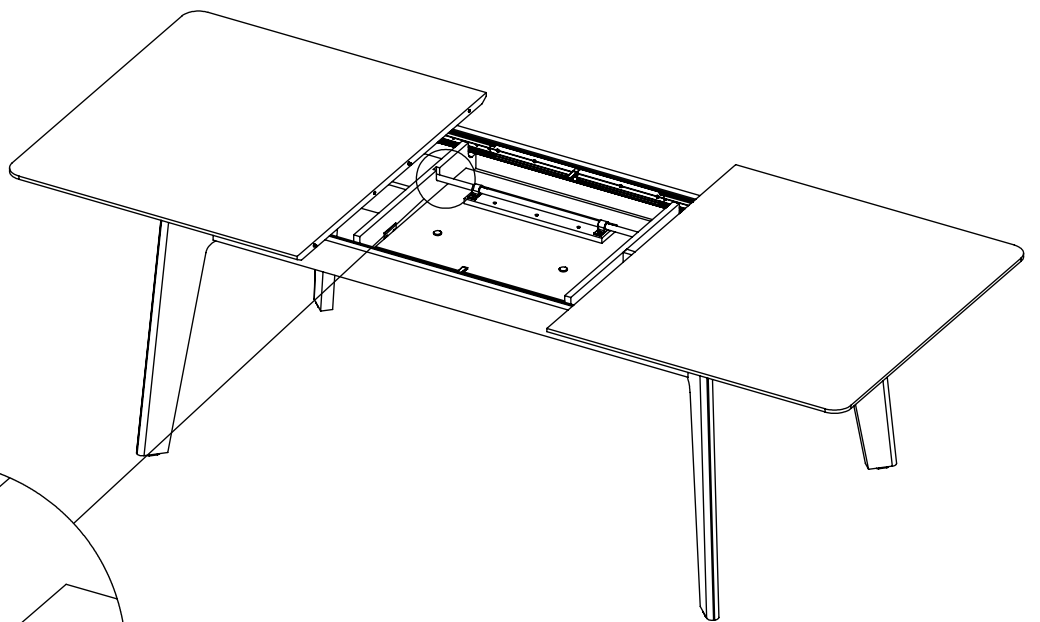
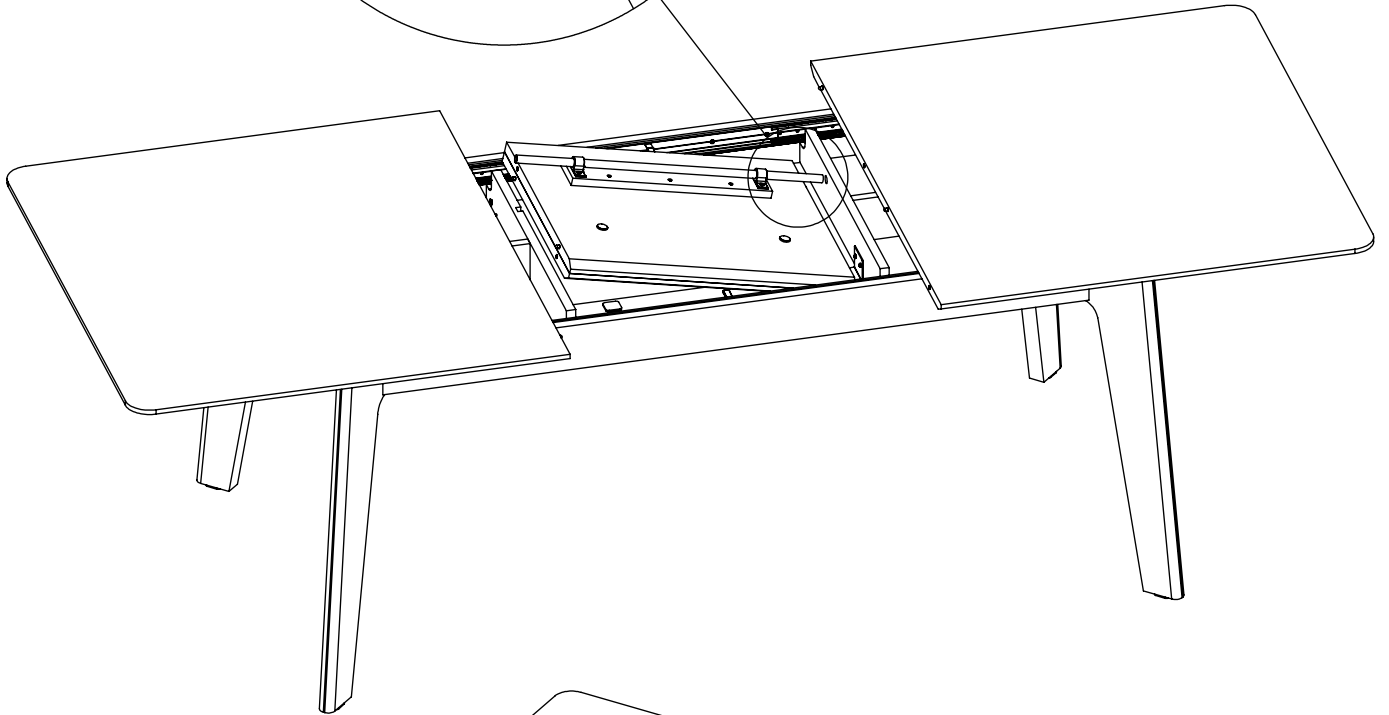
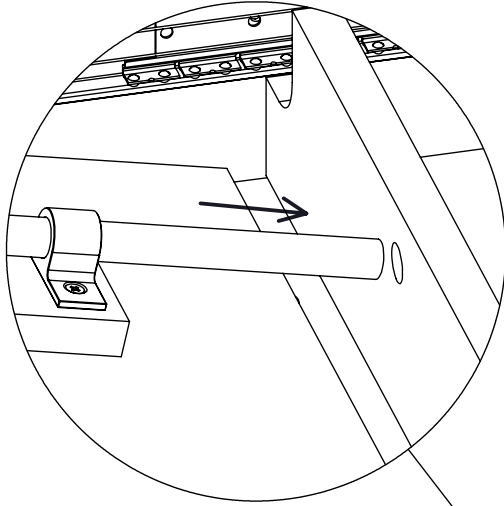


# 11

GGG x4  Ø4 x 16mm	GGB x10  Ø3,5 x 25mm	KDN x3 	EPA x2 
--	---	---	---



12



# 13

