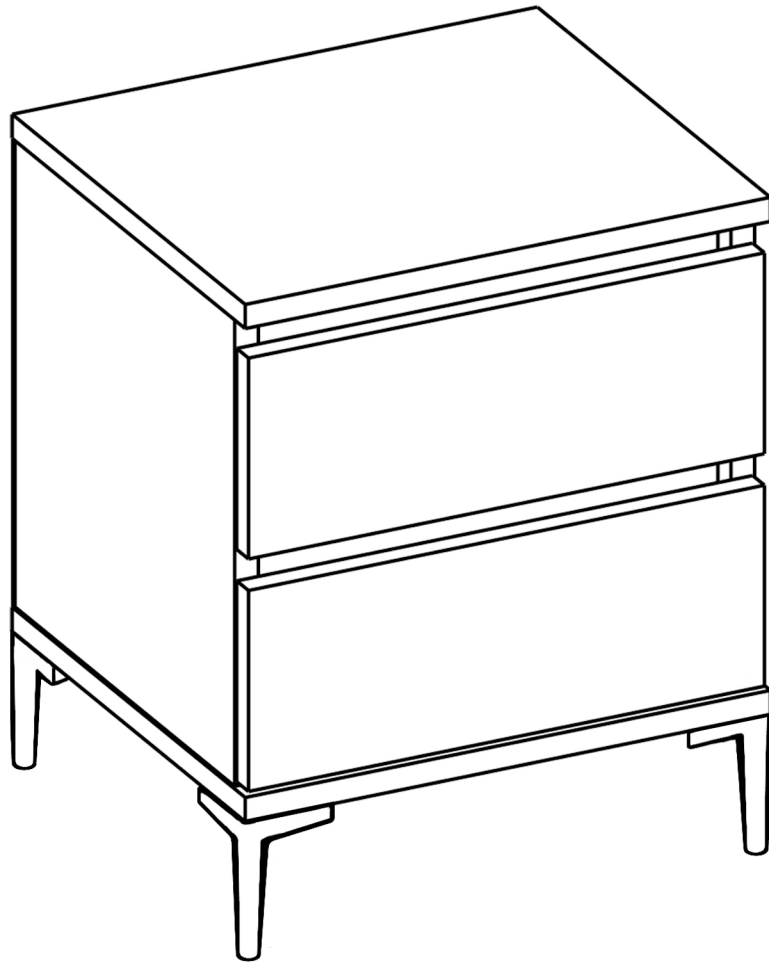


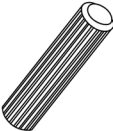
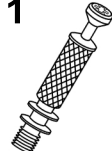




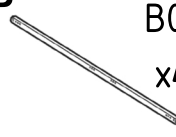


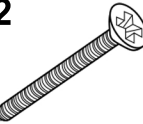

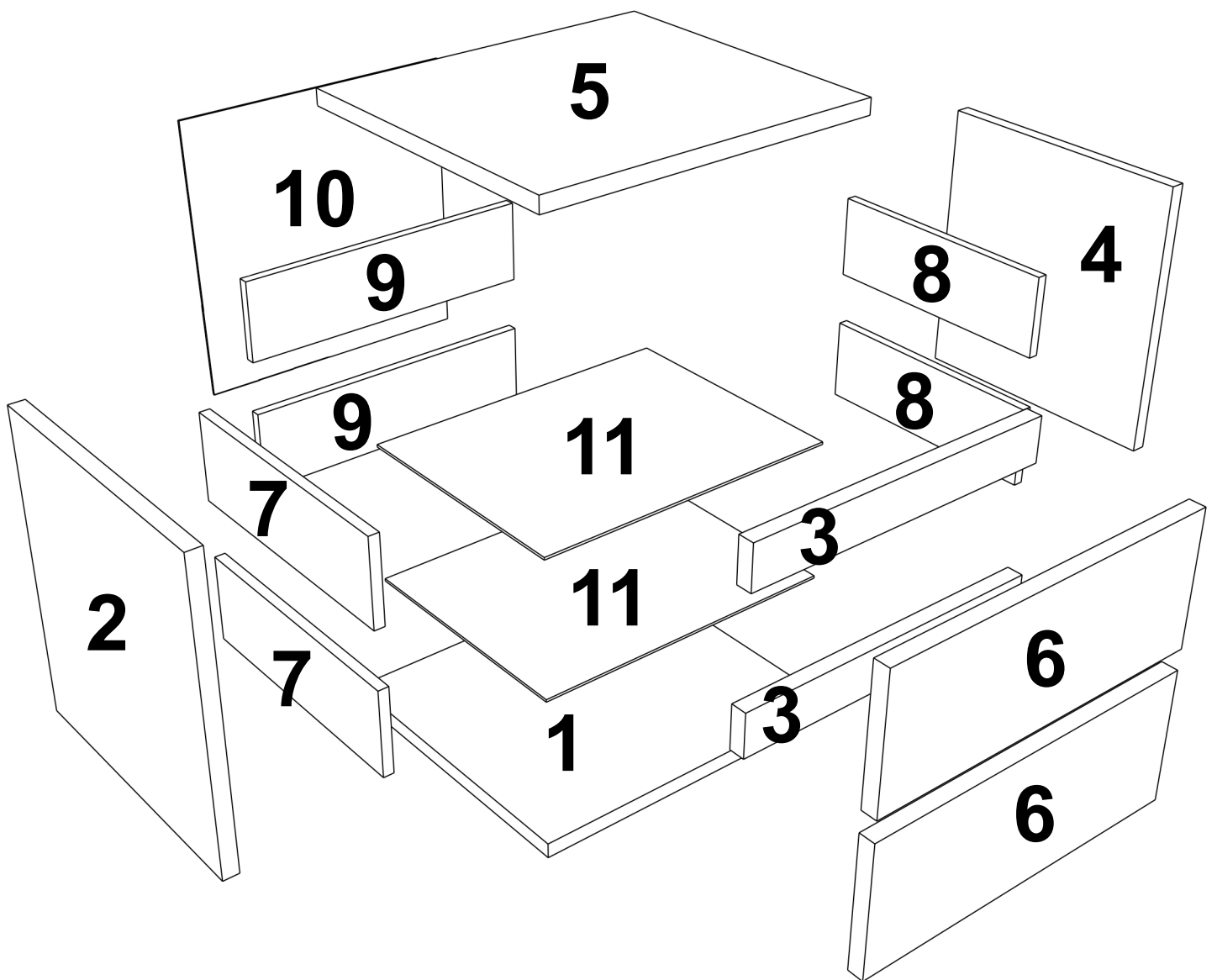
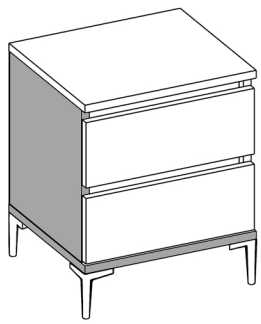


# AR6



<b>1</b>  B0501 x8	<b>1</b>  B0502 x8	<b>1</b>  B0503 x17	<b>1</b>  B0504 x8	<b>2</b>  B0301 x9
<b>2</b>  B0304 x8	<b>1</b>  B0511 x8	<b>1</b>  B0510 x8	<b>P</b>  B0905 x4	<b>2</b>  B0328 x4
<b>P</b>  B1004 x4	<b>2</b>  B0326 x17	<b>2</b>  B0318 x15		





B1004



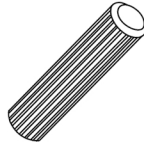
x4

B0502



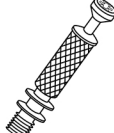
x2

B0503



x2

B0504



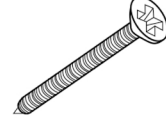
x2

B0501

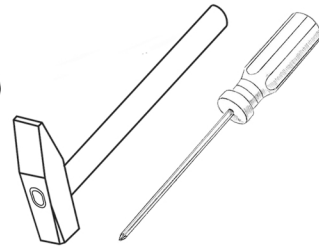


x2

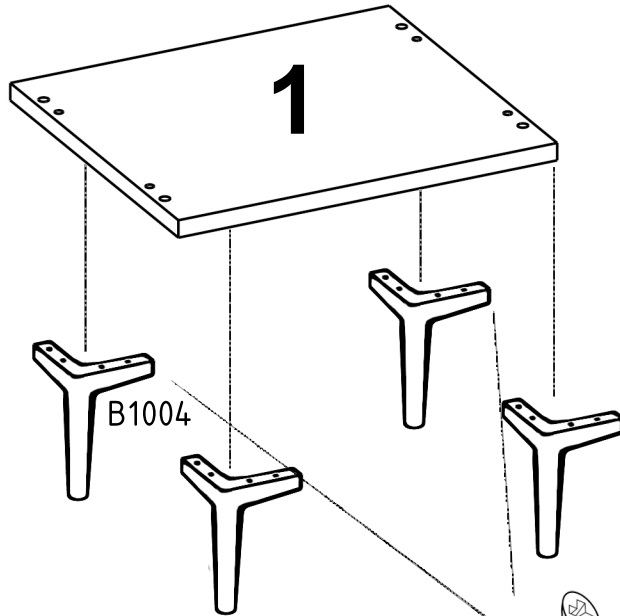
B0326



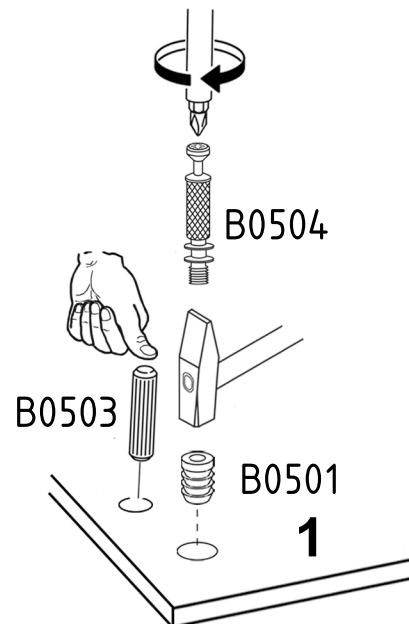
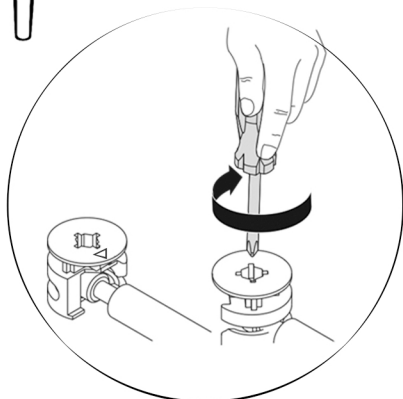
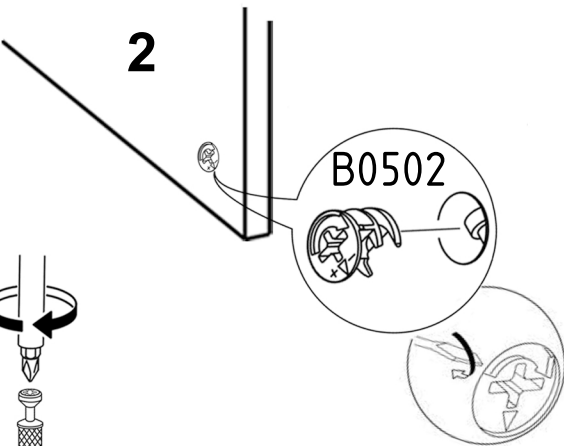
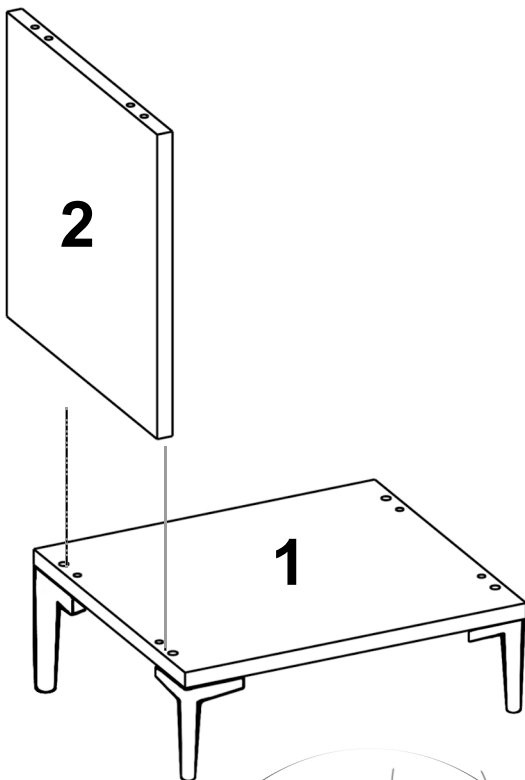
x16



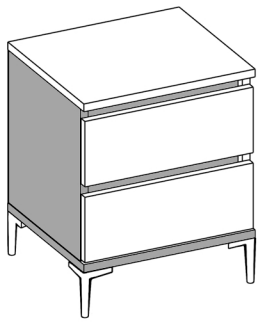
1



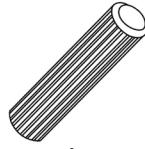
2



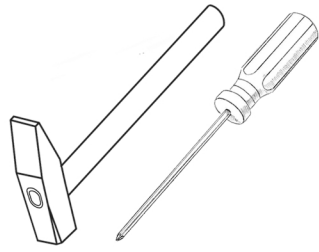
3



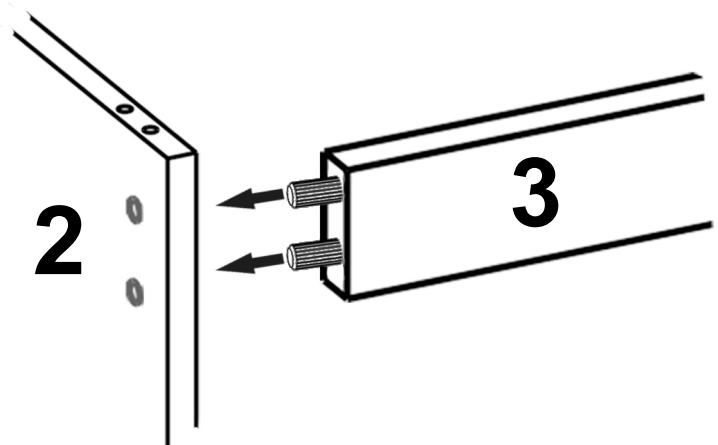
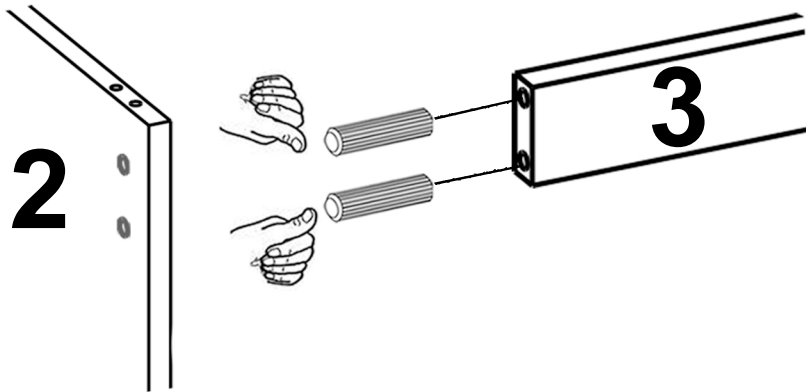
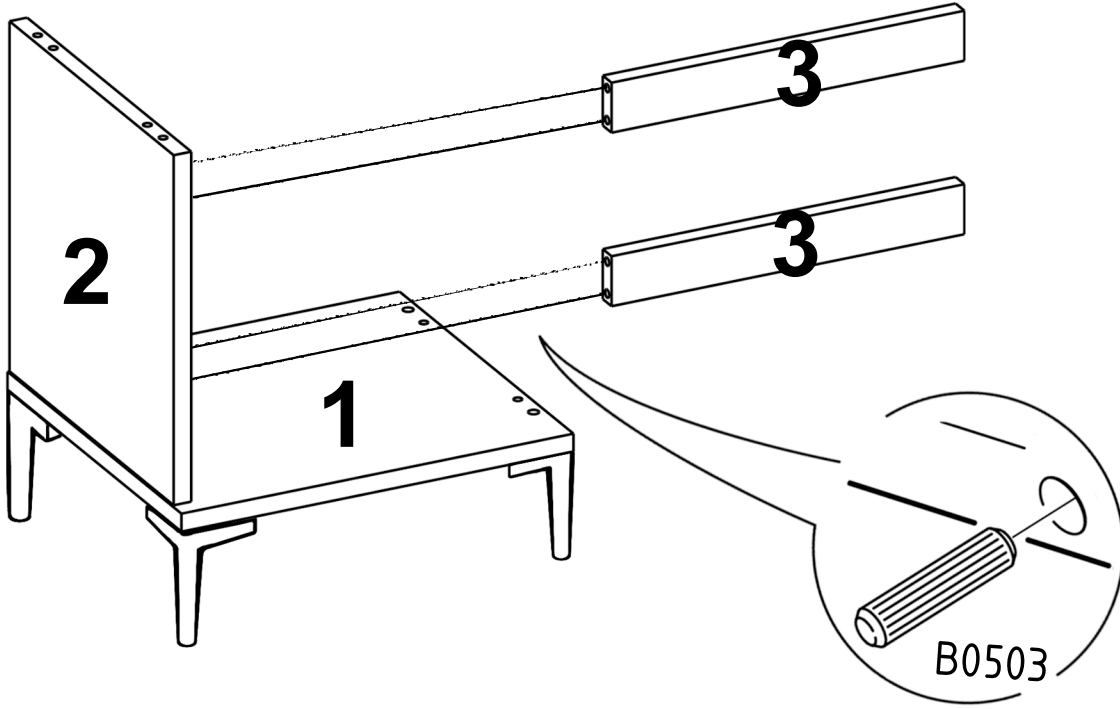
B0503



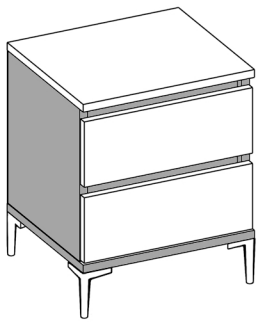
X4



3



4

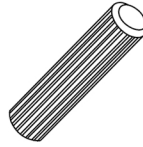


B0502



x2

B0503



x6

B0504

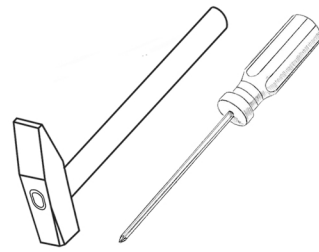


x2

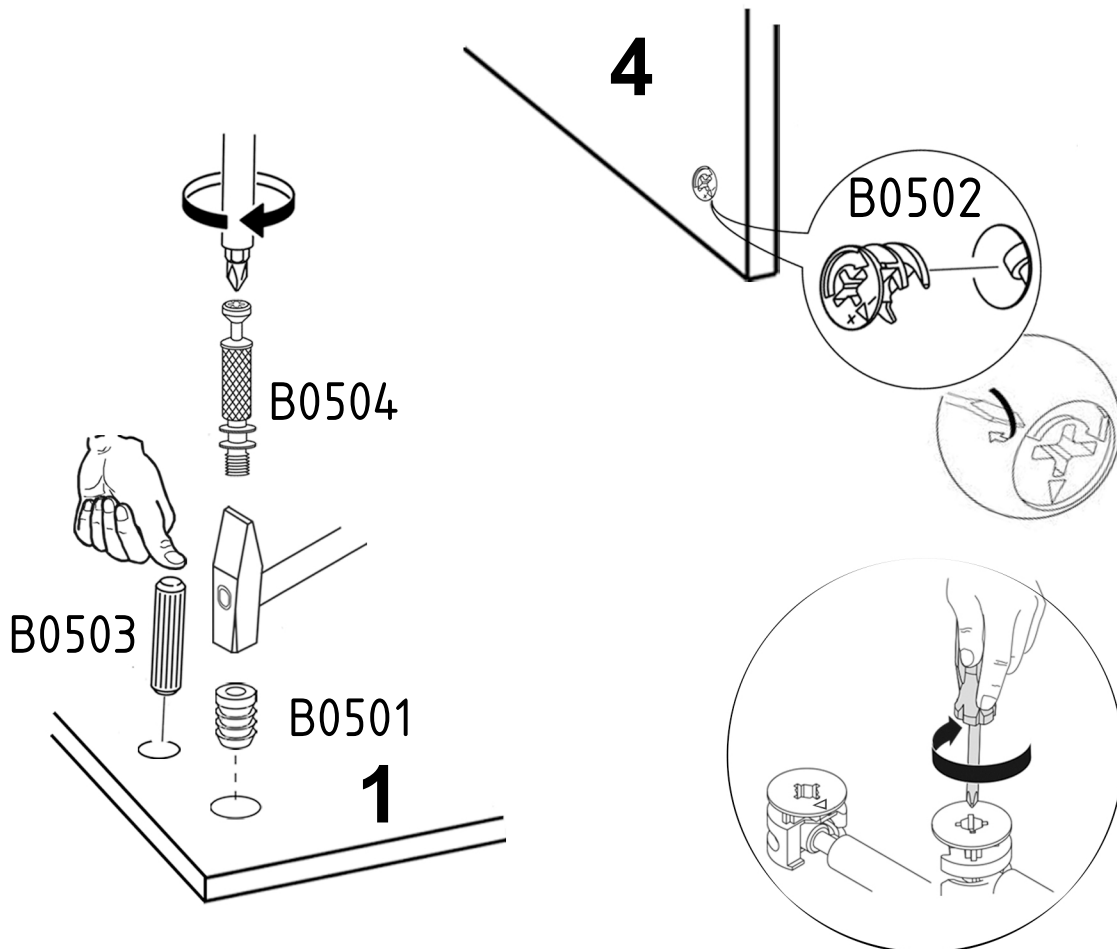
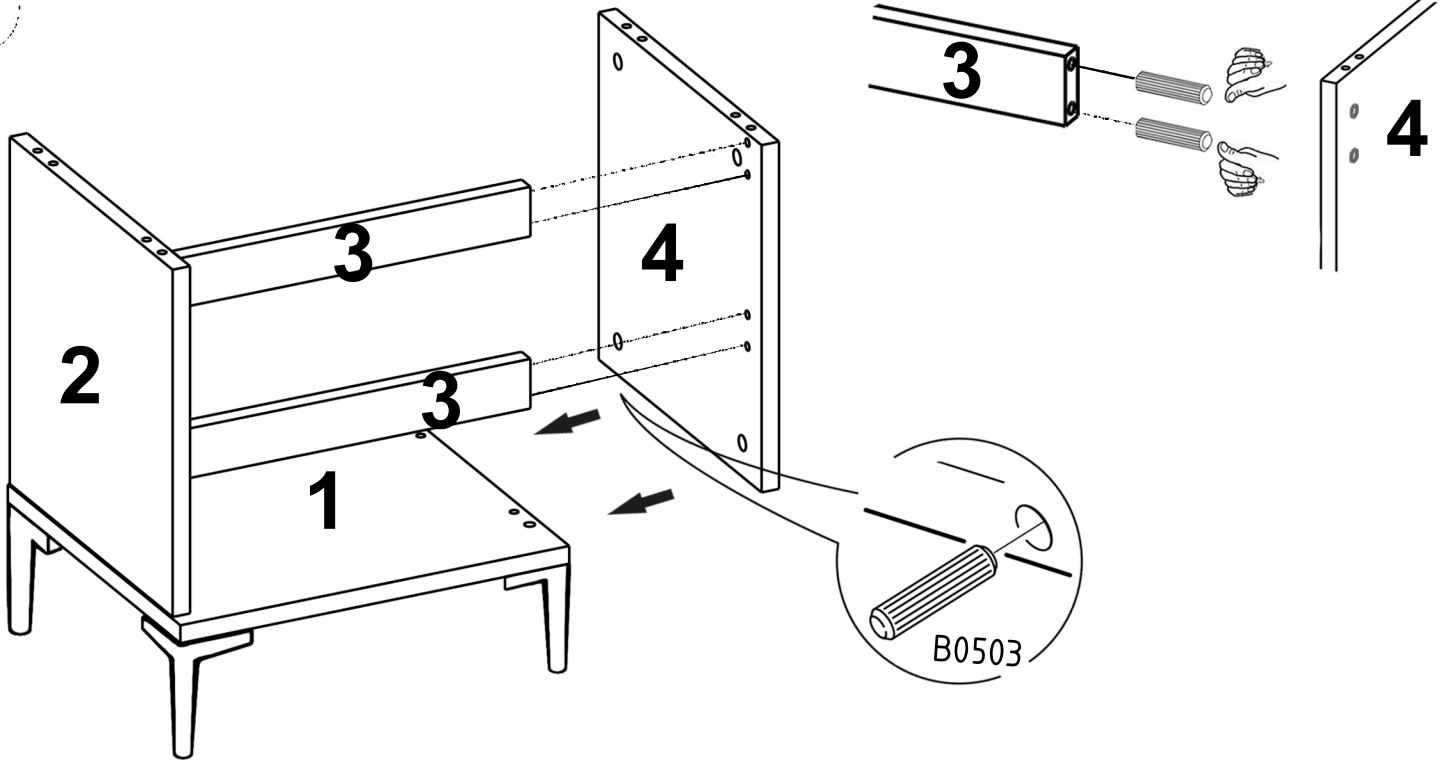
B0501



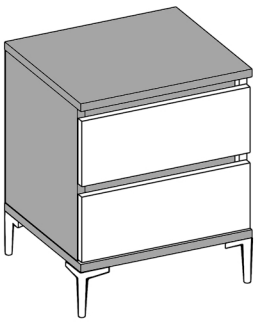
x2



4



5

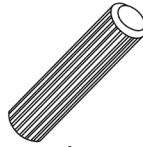


B0502



x4

B0503



x4

B0504



x4

B0501

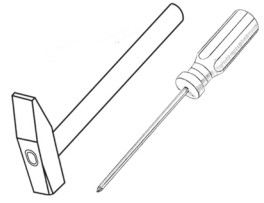


x4

B0511

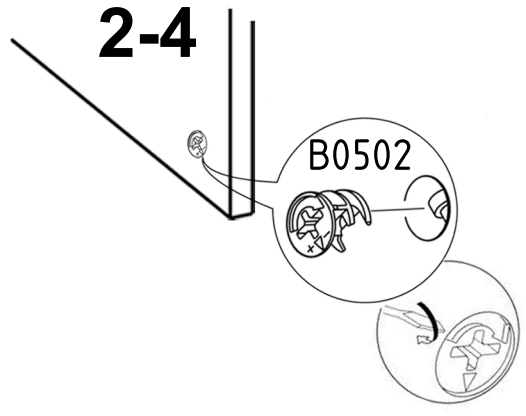
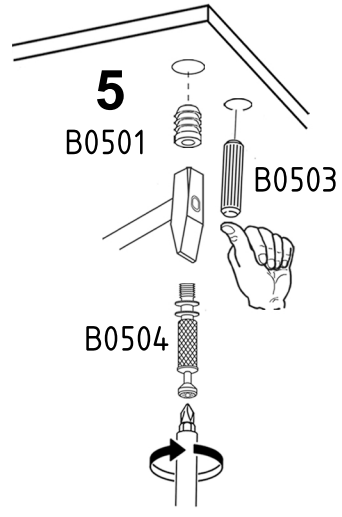
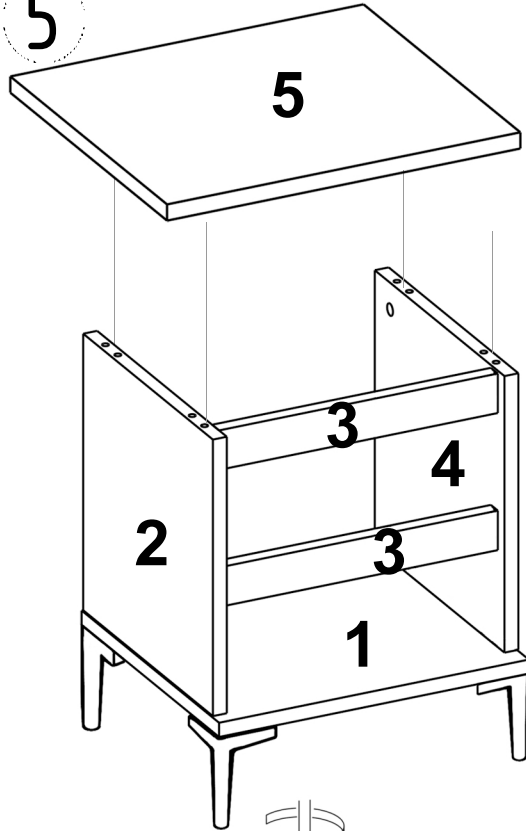


x8



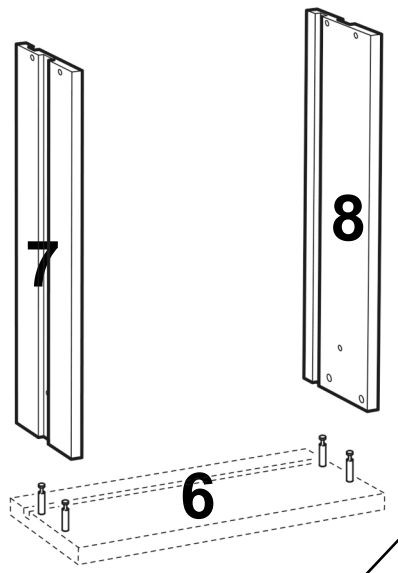
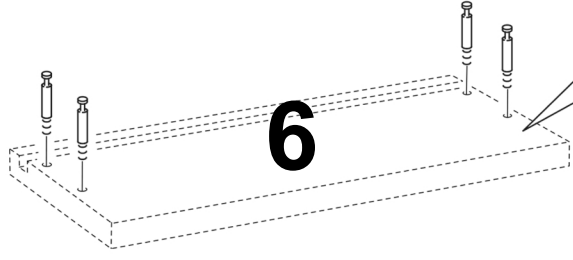
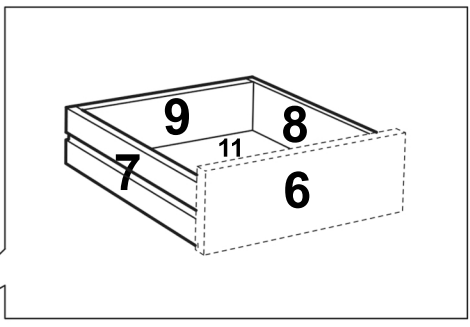
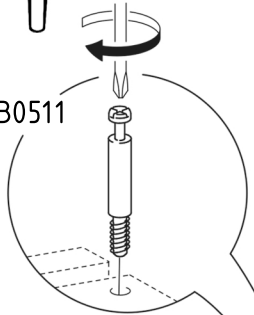
5

5

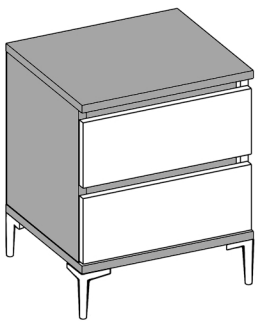


6

B0511



6



B0510



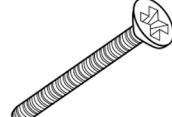
x8

B0905



x4

B0304

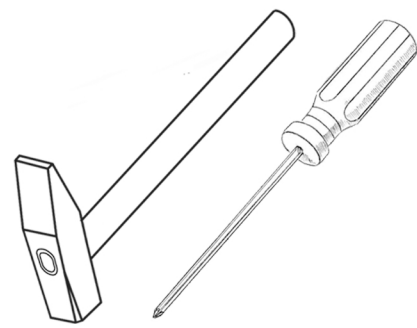


x8

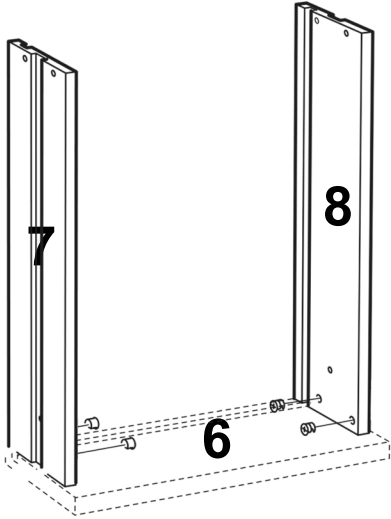
B0301



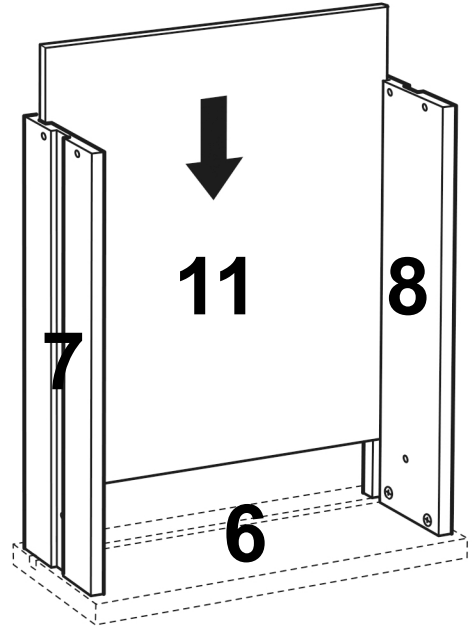
x8



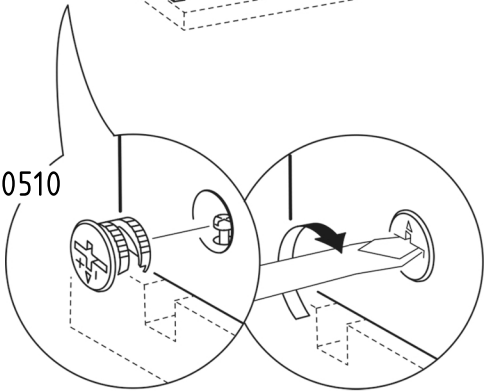
7



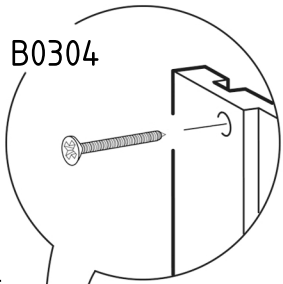
8



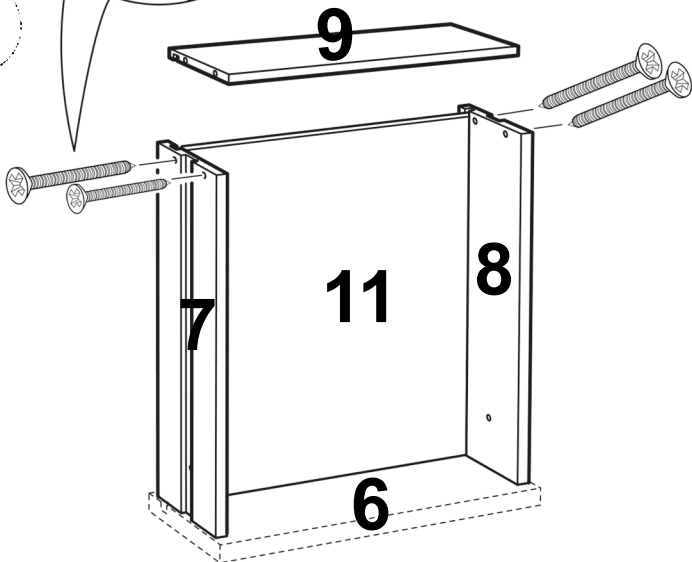
B0510



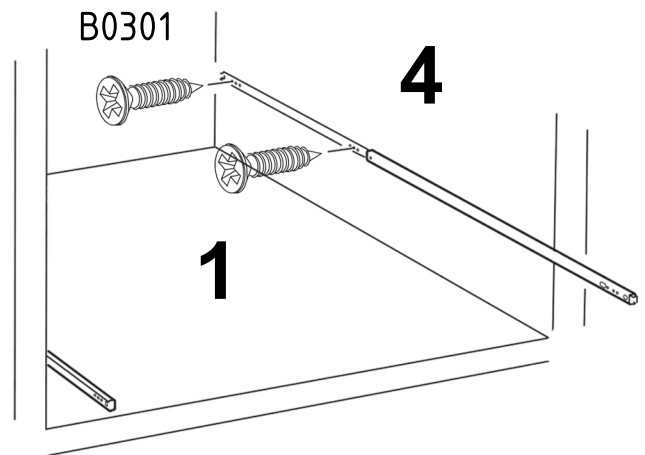
B0304

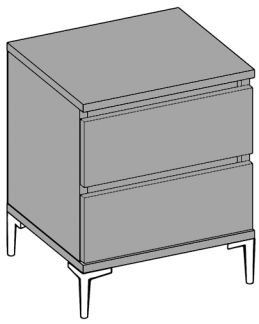


9



10





B0318

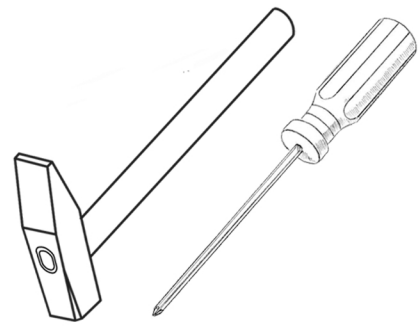


x15

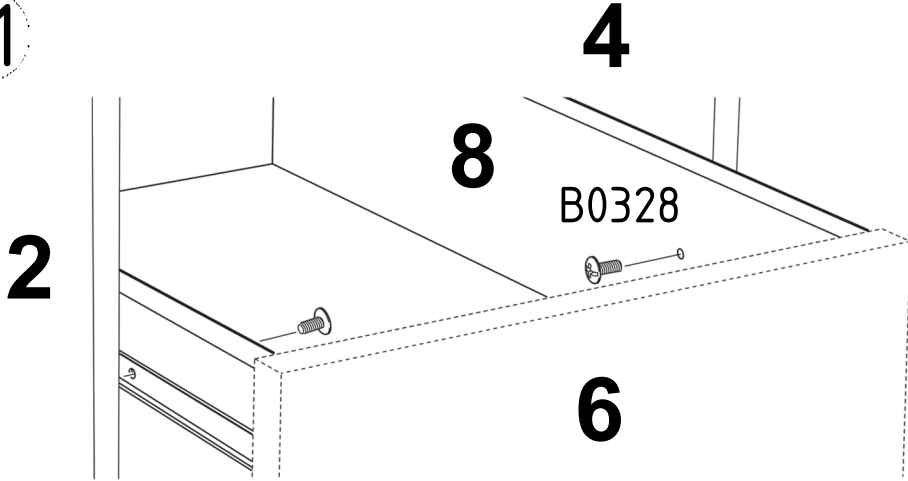
B0328



x4



11



12

