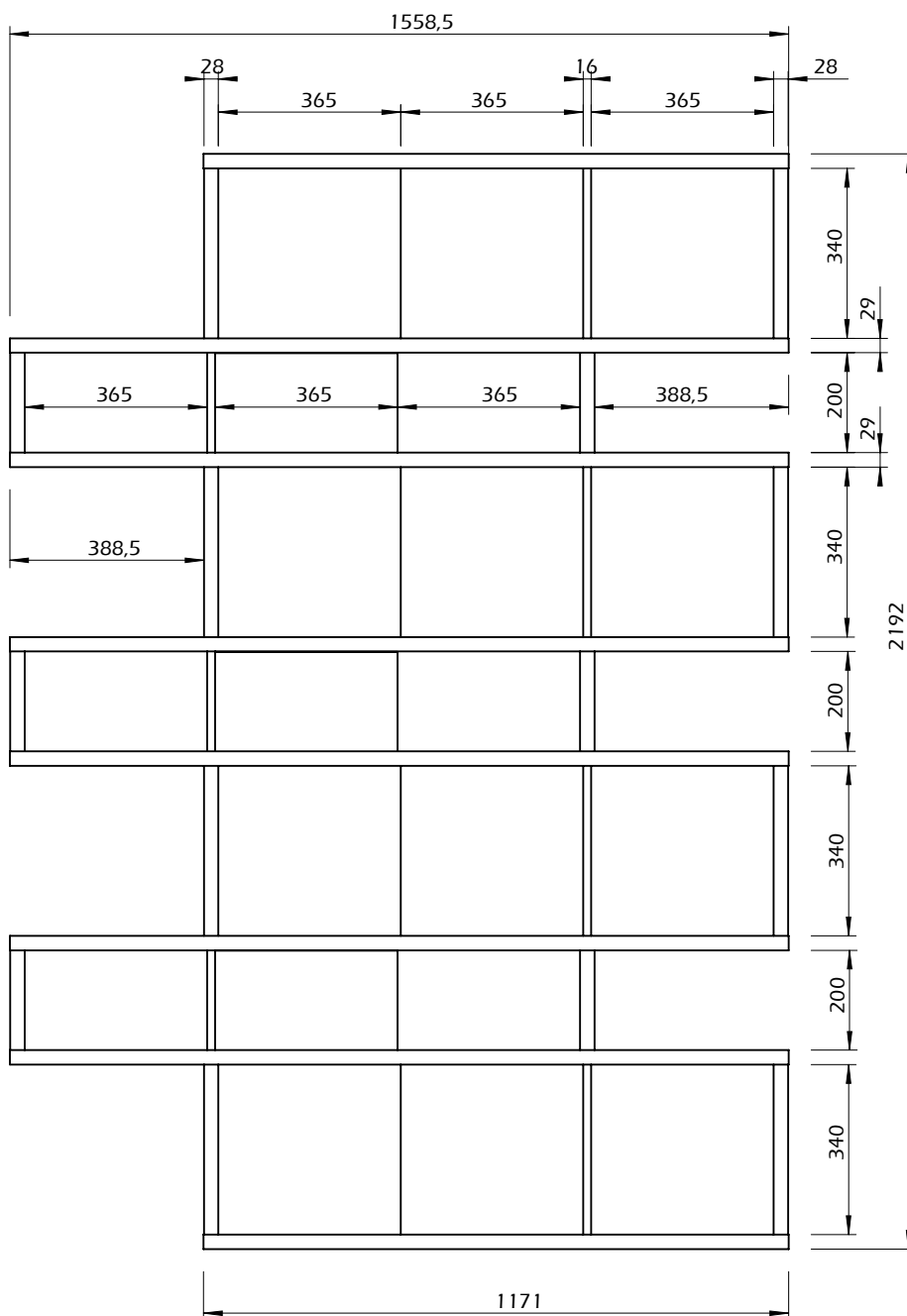
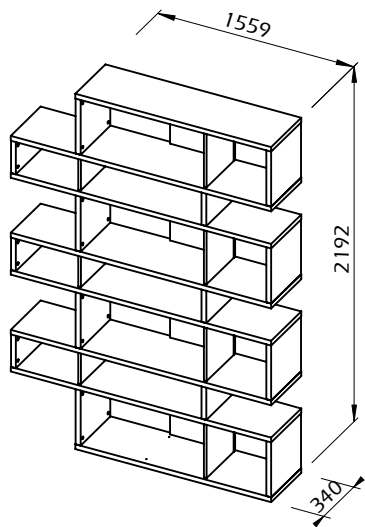
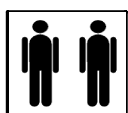


# Technical Information

LONDON



90min



110kg